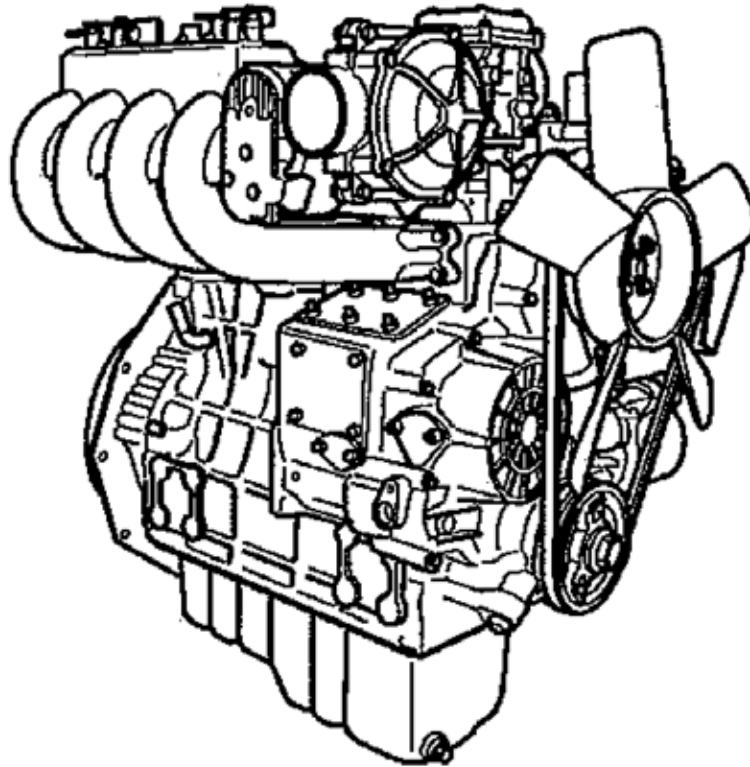


Engine Supplement Catalog

Kubota WG1605G GAS

(REF: KUBOTA CORPORATION ILLUSTRATED PARTS LIST FOR WG1605-G-E3-MNTM-1, NOV 2013)



PREFACE

Thank you for your purchase of the now industry standard for sweepers. PowerBoss© takes great pride in offering the most dependable, reliable and best value in industrial power sweepers and sweeper/scrubbers. We set the standard.

Our Customer Service Department would like to hear from you. If you see any errors, omissions or something that needs clarification in this Spare Parts Catalog, please let us know. We are working hard toward continually improving our processes to bring you the best you deserve. Please copy the form below, fill out and comment on how you found our catalog.

Thank you.

*Name _____

*Title: _____

*Company Name: _____

*Address: _____

*Country: _____

Type of equipment or model number: _____

Comments:

*Information is optional.

Please return to:

Customer Service Manager
PowerBoss©/Minuteman International, Inc.
14N845 U.S. Route 20
Pingree Grove, IL 60140 USA

Phone (800) 323-9420

Email - tech@powerboss.com

PREFACE

Please note this Supplement Catalog references Kubota Corporation Illustrated Parts List for: **(MODEL WG1605-G-E3-MNTM-1, dated NOV 2013)**

The following example describes the table/columns/illustrations shown in this Supplement Catalog:

MM#: PowerBoss®/Minuteman International, Inc. part number. (NA - not available)

REF. No.: Item number on the related illustration (usually located on the same page).

Part No.: Kubota Corporation part number. (BLANK - not available)

PART NAME: Part Description in English.

DESCRIPCION: Part Description in Spanish.

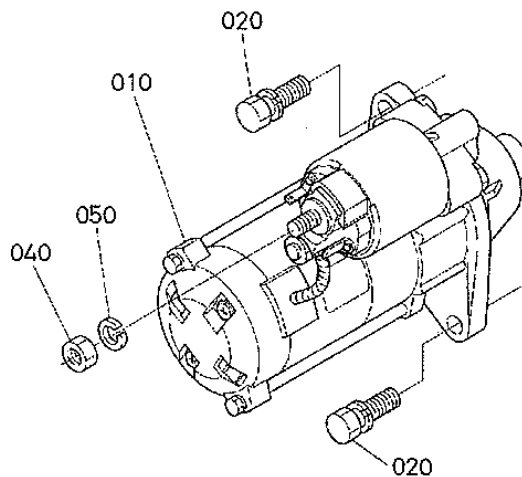
DESIGNATION: Part Description in French.

Q'TY/S No.: Quantity needed to complete the assembly.

I.C.: Interchangeability of parts due to design change.

REMARKS: Applicable model names, dimensions, and other special items.

Example: Table/Illustration



EG525-003-10

A:WG1605-G-E3-MNTM-1

MM#	REF. NO.	PART NO.	PART NAME	DESCRIPCION	DESIGNATION	Q'TY/S NO.	I.C.	REMARKS
	No. DE REF.	No. REF.				CANTIDAD No. DE SERIE	/I/C	
	POS.No.	REFERENCE				Q'TE/No.S.	I.C.	REMARQUES
3344864	010	EG523-6301-0	ASSY STARTER	CONJ.MOTOR ARRANQUE	ENS.DEMARREUR	1		
3331931	020	01123-50830	BOLT,SEMS	PERNO	VIS	2		
NA	030	----	BLANK	POSTIZO	BLANC	-		
3331989	040	02114-50080	HEX.NUT	TUERCA	ÉCROU	1		
3345214	050	04512-50080	WASHER,SPRING LOCK	ARANDELA DE MUELLE	RONDELLE GROWER	1		

TABLE OF CONTENTS

PREFACE 2

CRANKCASE - 000100 6

OIL PAN - 000200 7

CYLINDER HEAD - 000300 8

GEAR CASE - 000400 9

HEAD COVER - 000500 10

OIL FILTER - 000600 11

DIPSTICK AND GUIDE - 000700 12

MAIN BEARING CASE - 010000 13

CAMSHAFT AND IDLE GEAR SHAFT - 010100 14

PISTON AND CRANKSHAFT - 010200 15

FLYWHEEL - 010300 16

SENSOR - 026000 17

IGNITION COIL - 030200 18

COVER - 030500 19

STOP SOLENOID - 030800 20

ALTERNATOR AND PULLEY - 040200 21

ALTERNATOR [COMPONENT PARTS] - 040300 22

STARTER - 040400 23

STARTER [COMPONENT PARTS] - 040500 24

OIL SWITCH/THERMOMETER/PLUG - 040600 25

WATER FLANGE AND THERMOSTAT - 050000 26

WATER PUMP - 050100 27

WATER PIPE - 050300 28

FAN - 050400 29

RESERVE TANK - 050500 30

VALVE AND ROCKER ARM - 060000 31

INLET MANIFOLD - 060100 32

EXHAUST MANIFOLD - 060200 33

WIRE HARNESS - 080600 34

ECU - 080700 35

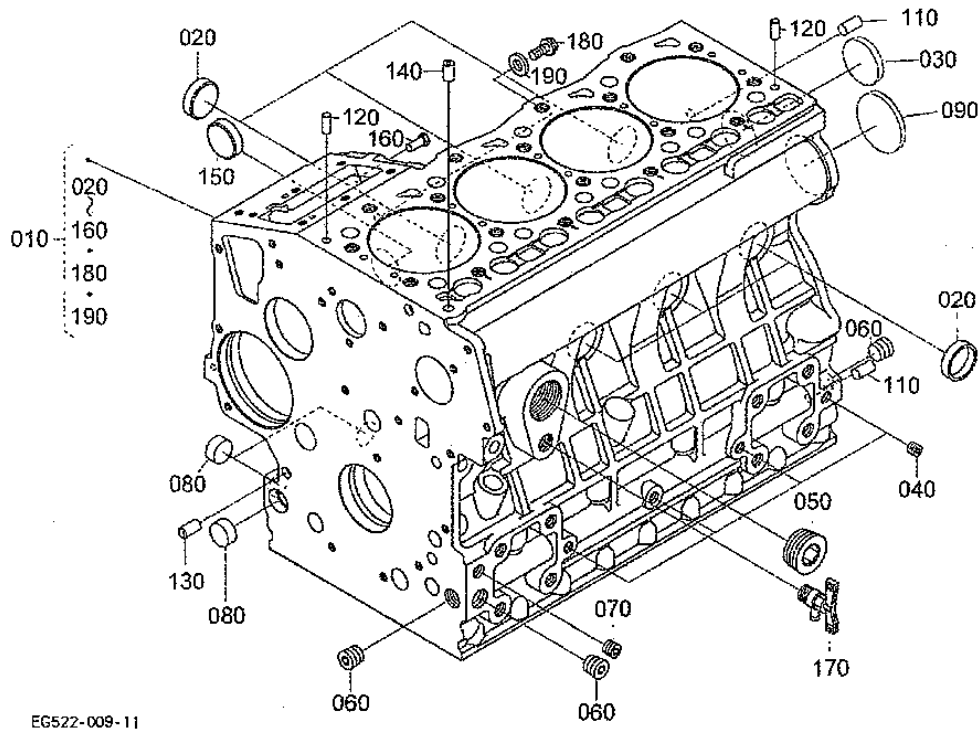
ACCESSORIES AND SERVICE PARTS - 080800 36

LABEL AND OPERATOR'S MANUAL - 080900 37

UPPER GASKET KIT [OPTION] - 090001 38
LOWER GASKET KIT [OPTION] - 090002 39
METAL KIT [OPTION] - 090100 40
PISTON KIT [OPTION] - 090300 41
OPTION - 090600 42
DIRECT SALES - 091000 43
WARRANTY **44**
NOTES **45**

CRANKCASE - 000100

KUBOTA WG1605G ENGINE



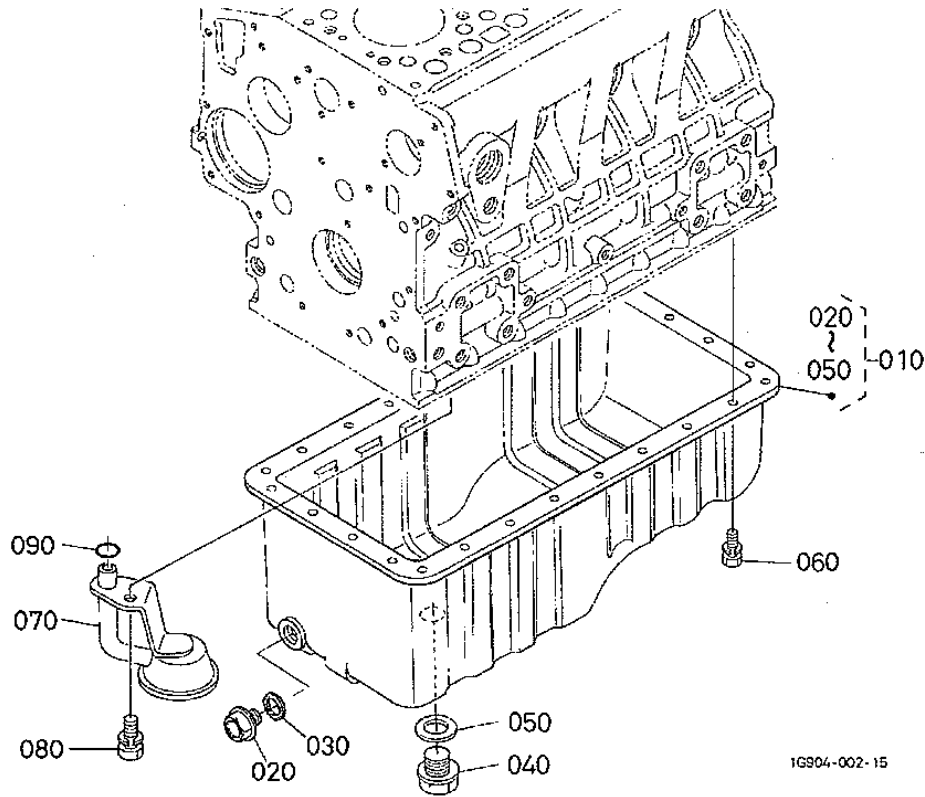
A:WG1605-G-E3-MNTM-1

MM#	REF. NO.	PART NO.	PART NAME	DESCRIPCION	DESIGNATION	Q'TY/S. NO.	I.C.	REMARKS
	S:DEREF	No. REF.				CANTIDAD/NO. DE SERIE		
	POS.No.	REFERENCE				Q'TE/No.S.	I.C.	REMARQUES
3345474	010	EG522-0104-0	COMP. CRANKCASE	COMP. BLOQUE MOTOR	BLOC MOTEUR COMPLET	1		
3337579	020	15451-9627-0	CAP. SEALING	TAPA, SELLADO	PASTILLE	6		
3331604	030	15221-0349-0	PLUG, CUP TYPE	TAPA, SELLADO	PASTILLE	1		
3331605	040	15261-9601-0	PLUG	TAPON	BOUCHON	4		
3345102	050	16683-9602-0	PLUG	TAPON	BOUCHON	1		
3345103	060	16241-9601-0	PLUG	TAPON	BOUCHON	3		
3331556	070	15521-9602-0	PLUG	TAPON	BOUCHON	2		
3331558	080	17391-9616-0	PLUG EXPANSION	TAPON, EXPANSION	BOUCHON EXPANSIBLE	3		
3337581	090	16271-9616-0	PLUG EXPANSION	TAPON, EXPANSION	BOUCHON EXPANSIBLE	1		
NA	100	---	BLANK	POSTIZO	BLANC	-		
3345104	110	05012-00814	PIN, STRAIGHT	PASADOR	GOUPILLE CYLINDRIQUE	2		
3345105	120	05012-00610	PIN, STRAIGHT	PASADOR	GOUPILLE CYLINDRIQUE	2		
3345106	130	15231-3396-0	PIN, PIPE	PASADOR, TUBO	GICLEUR	2		
3345107	140	16241-3365-0	PIN, PIPE	PASADOR, TUBO	GICLEUR	1		
3336927	150	16241-9626-2	PLUG, FUEL CAMSHAFT	TAPON	BOUCHON	1		
3345108	160	16221-5628-0	PIN, START SPRING	PASADOR, ARRANQ RSRT	GOUPILLE DU RESSORT	1		
3344817	170	16871-7302-0	COCK, ASSY	CONJ. GRIFO, VCR	ENS. ROBINET VIDANGE	1		
3345109	180	01754-50610	BOLT, FLANGE	TORNILLO, BRIDA	VIS DE BUTEE	1		
3331828	190	15601-9665-0	GASKET	JUNTA	JOINT	1		

PARTS BREAKDOWN

OIL PAN - 000200

KUBOTA WG1605G ENGINE



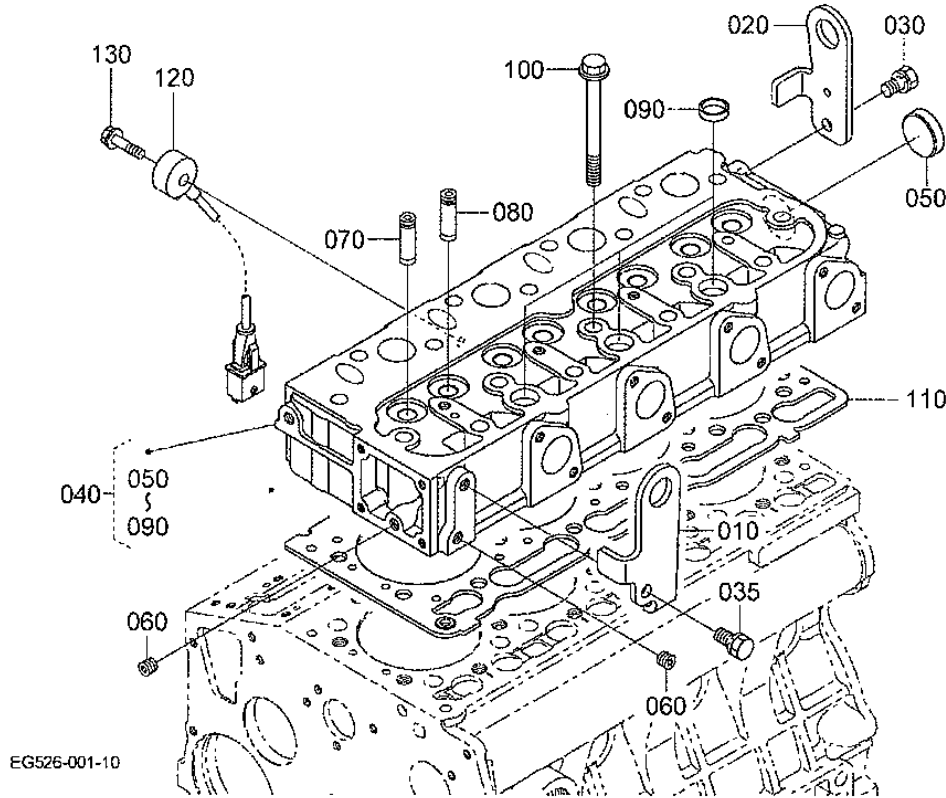
1G904-002-15

A:WG1605-G-E3-MNTM-1

MM#	REF. NO.	PART NO.	PART NAME	DESCRIPCION	DESIGNATION	Q'TY/S. NO.	I.C.	REMARKS
	No DE REF	No. REF.				CANTIDAD/No. DE SERIE	I/C	
	POS.No.	REFERENCE				A	I.C.	REMARQUES
3344818	010	16616-0160-0	KIT OIL PAN	KIT ACEITE CACEROLA	ENS.CARTER D'HUILE	1		
3338327	020	13901-3375-0	PLUG(DRAIN)	TAPON,VACIAR	BOUCHON DE VIDANGE	1		
3338328	030	6C090-5896-0	GASKET(PAN,OIL)	JUNTA	JOINT	1		
3344821	040	16286-3375-0	PLUG(DRAIN)	TAPON,VACIAR	BOUCHON DE VIDANGE	1		
3344822	050	16265-9667-0	GASKET(PAN,OIL)	JUNTA	JOINT	1		
3345111	060	16221-9112-2	BOLT,SEMS	TORNILLO	VIS	26		
3345112	070	16226-3211-4	FILTER,OIL	FILTRO,ACEITE	FILTRE D'HUILE	1		
3345113	080	01123-50816	BOLT,SEMS	PERNO	BOULON	1		
3344823	090	04814-00160	O RING	O ARO	JOINT TORIQUE	1		

CYLINDER HEAD - 000300

KUBOTA WG1605G ENGINE



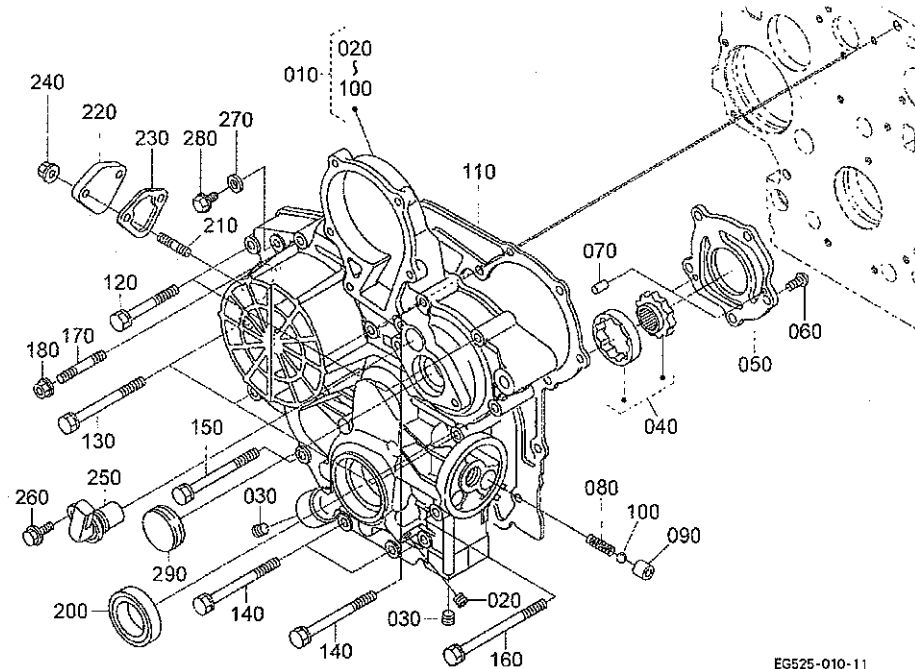
A:WG1605-G-E3-MNTM-1

MM#	REF. NO.	PART NO.	PART NAME	DESCRIPCION	DESIGNATION	Q'TY/S NO.	I.C.	REMARKS
	No. DE REF.	No. REF.				CANTIDAD/No. DE SERIE		
	POS.No.	REFERENCE				A	I.C.	REMARQUES
3344824	010	EG523-0174-0	HOOK,ENGINE	GANCHO,MOTOR	ANNEAU DE LEVAGE	1		
3344825	020	EG523-0175-2	HOOK(ENGINE,2)	GANCHO MOTOR	ANNEAU DE LEVAGE	1		
3345114	030	01123-50814	BOLT,SEMS	PERNO	VIS	1		
3345113	035	01123-50816	BOLT,SEMS	PERNO	BOULON	1		
3345475	040	EG522-0304-0	COMP.CYLINDER HEAD	COMP.CILINDRO CLT	CULASSE COMPLET	1		
3337587	050	15321-9626-0	CAP,SEALING	TAPA,SELLADO	PASTILLE	1		
3331605	060	15261-9601-0	PLUG	TAPON	BOUCHON	2		
3337584	070	16261-1354-0	GUIDE(INLET VALVE)	GUIA,ENTRADA VALVULA	GUIDE SOUP.D'ADMISS.	4		
3345115	080	EG523-1356-0	GUIDE,EXHAUST VALVE	GUIA,ESCAPE VALVULA	GUIDE SOUP.D'ECHAP.	4		
3337723	090	15261-0337-0	PLUG,CUP TYPE	TAPA,SELLADO	PASTILLE	3		
3337583	100	16241-0345-0	BOLT,HEAD(CYLINDER)	TORNILLO,CLNDR CLT	VIS DE CYLINDRE	9		
3344827	110	16394-0331-3	GASKET,CYLINDER HEAD	JUNTA,CLNDR CLT	JOINT	1		
3344828	120	EG523-0380-0	SENSOR(KNOCK)	SENSOR(GOLPE)	CAPTEUR(DÉTONATION)	1		
3344829	130	EG523-9105-0	BOLT(SENSOR,KNOCK)	PERNO(SENSOR,GOLPE)	BOULON(CAPTEUR DE DÉTONATION)	1		

PARTS BREAKDOWN

GEAR CASE - 000400

KUBOTA WG1605G ENGINE



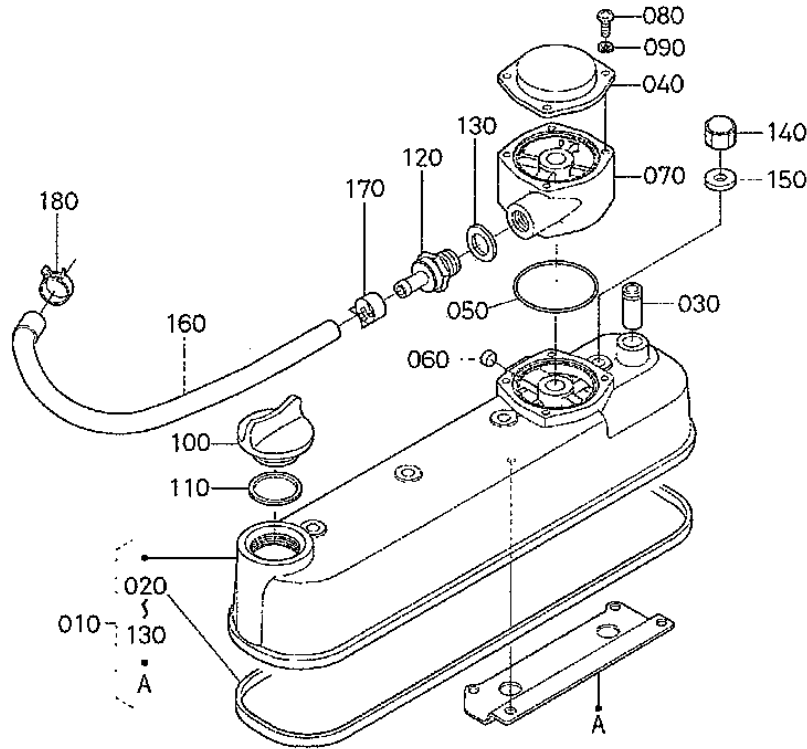
EG525-010-11

A:WG1605-G-E3-MNTM-1

MM#	REF. NO.	PART NO.	PART NAME	DESCRIPCION	DESIGNATION	Q'TY/S. NO.	I.C.	REMARKS
	Nº DE REF.	No. REF.				CANTIDAD/NO. DE SERIE		
	POS. No.	REFERENCE				A	I.C.	REMARQUES
3344830	010	EG522-0402-0	COMP. CASE, GEAR	COMP. CAJA, ENGRNJ	CARTER DISTR. COMP.	1		
3345116	020	16261-9601-0	PLUG	TAPON	BOUCHON	1		
3345117	030	16261-9602-0	PLUG	TAPON	BOUCHON	2		
3345118	040	16241-3507-0	ROTOR, ASSY(OIL PUMP)	CONJ. ROTOR, ACT BMB	ROTOR DE POMPE HUILE	1		
3345119	050	16251-3513-0	COVER(OIL PUMP)	CUBIERTA, ACT BMB	COUV. POMPE A HUILE	1		
3345120	060	03017-50620	SCREW, BINDING(PHILLI)	TORNILLO, CR-RC-BD-HD	VIS	5		
3345121	070	05012-00410	PIN, STRAIGHT	PASADOR	GOUPILLE CYLINDRIQUE	2		
3345122	080	16241-3695-0	SPRING	RESORTE	RESSORT	1		
3345123	090	16241-3693-0	SEAT, VALVE	ASIENTO, VALVULA	SIEGE DE SOUPAPE	1		
3345124	100	07715-00201	BALL	BOLA	BILLE	1		
3344831	110	16264-0413-2	GASKET, GEAR CASE	JUNTA, ENGRANAJE CAJA	JOINT	1		
3345125	120	01023-50645	BOLT, SEMS	BULLONE	VIS	3		
3345126	130	01023-50650	BOLT, SEMS	BULLONE	VIS	4		
3345127	140	01023-50655	BOLT, SEMS	TORNILLO	VIS	4		
3345128	150	01023-50665	BOLT, SEMS	TORNILLO	VIS	1		
3345129	160	16241-9104-0	BOLT	TORNILLO	VIS	1		
3345130	170	16245-9153-0	STUD	ESPARRAGO	GOUJON	1		
3338381	180	02751-50060	NUT, FLANGE	TUERCA, BRIDA	ECROU A EMBASE	1		
NA	190		BLANK	POSTIZO	BLANC	-		
3344832	200	16259-0421-0	SEAL, OIL	RETEN DE ACEITE	BAGUE JOINT	1		
3345131	210	16245-9154-0	STUD	ESPARRAGO	GOUJON	2		
3335865	220	15852-5285-0	COVER	CUBIERTA	COUVERCLE	1		
3344833	230	16261-5214-0	GASKET(FUEL PUMP)	JUNTA, CMBSTBL BMB	JOINT DE POMP. CARB.	1		
3338381	240	02751-50060	NUT, FLANGE	TUERCA, BRIDA	ECROU A EMBASE	2		
3344834	250	EG523-6833-2	SENSOR(REVOLUTION)	SENSOR, REVOLUCION	DETECTEUR	1		
3344835	260	01754-50616	BOLT, FLANGE	TORNILLO, BRIDA	VIS DE BUTEE	1		
3331828	270	15601-9665-0	GASKET	JUNTA	JOINT	1		
3345132	280	01053-50612	HEX. BOLT	TORNILLO	VIS	1		
3345133	290	16264-8334-2	COVER, GEAR CASE	CUBIERTA, ENGRNJ CJ	COUV. CARTER DISTRIB	1		

HEAD COVER - 000500

KUBOTA WG1605G ENGINE



EG522-049-10

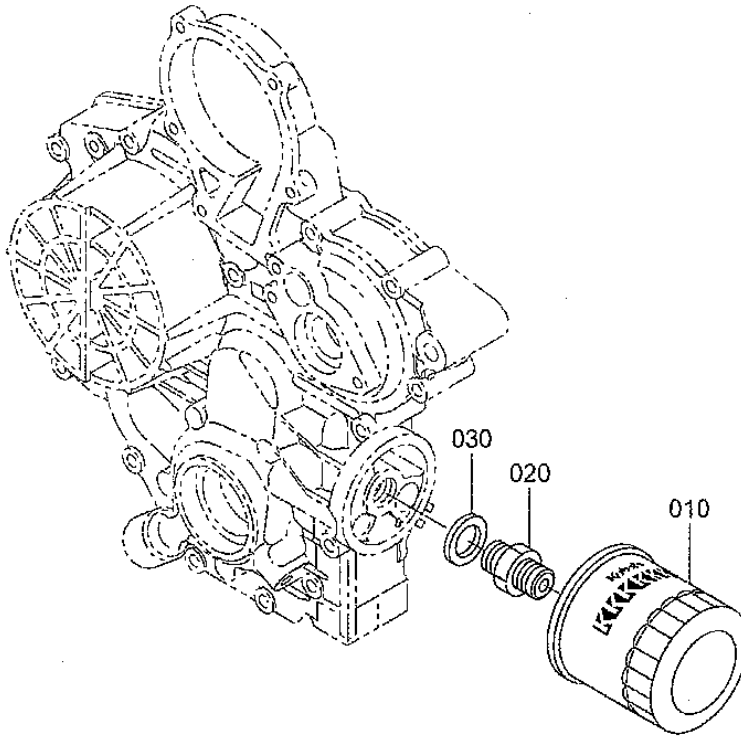
A:WG1605-G-E3-MNTM-1

MM#	REF. NO.	PART NO.	PART NAME	DESCRIPCION	DESIGNATION	Q'TY/S. NO.	I.C.	REMARKS
	NO DE REF	No. REF.				CANTIDAD/ DE SERIE		
	POS. NO.	REFERENCE				A	I.C.	REMARQUES
3345485	010	EG523-1466-0	ASSY HEAD COVER FULL	CONJ. LLENO CUBIERTA	ENS. COUVERCLE FULL	1		
3334278	020	16241-1452-0	GASKET, HEAD COVER	JUNTA, CLT CBRT	JOINT COUVRE-CULASSE	1		
3332027	030	17331-7334-2	PIPE, WATER RETURN	TUBO, AGUA DEVOLVER	TUYAU RETOUR D'EAU	1		
3345134	040	16742-0512-0	COVER, BREATHER	CUBIERTA, RESPIADERO	COUVERCLE ASPIRATEUR	1		
3345135	050	1A021-0543-0	O-RING (BREATHER)	O ARO, RESPIADERO	JOINT TORIQUE	2		
3345136	060	15451-9630-0	CAP, SEALING	TAPA, SELLADO	PASTILLE	1		
3345137	070	EG523-1467-0	SPACER (BREATHER)	SEPARADOR	ENTRETOISE	1		
3345138	080	03054-50545	SCREW, PAN HEAD (PHILL)	TORNILLO, CCRL-CLT	VIS	4		
3345139	090	04512-50050	WASHER, SPRING LOCK	ARANDELA DE MUELLE	RONDELLE GROWER	4		
3337711	100	E9151-3314-0	PLUG (OIL FILLER)	TAPON, ACT TPRS	BOUCHON, REMPLIS. H/L	1		
3344837	110	1J001-9677-0	O-RING	O ARO	JOINT TORIQUE	1		
3344838	120	EG523-0545-0	VALVE, COMP (PCV)	VALVULA (PCV)	SOUPAPE (PCV)	1		
3305252	130	04724-00160	PACKING	JUNTA	JOINT	1		
3336916	140	15952-9233-0	NUT, CAP	TUERCA	ECROU	4		
3337572	150	15951-9666-0	GASKET	JUNTA	JOINT	4		
3344839	160	EG523-0551-0	TUBE, BREATHER	TUBO, RESPIADERO	TUBE D'ASPIRATEUR	1		
3345140	170	EG523-4275-0	CLAMP, HOSE	ABRAZADERA	COLLIER DE DURITE	1		
3333400	180	16241-7336-0	BAND (PIPE)	BANDA, TUBO	COLLIER DE TUYAU	1		

PARTS BREAKDOWN

OIL FILTER - 000600

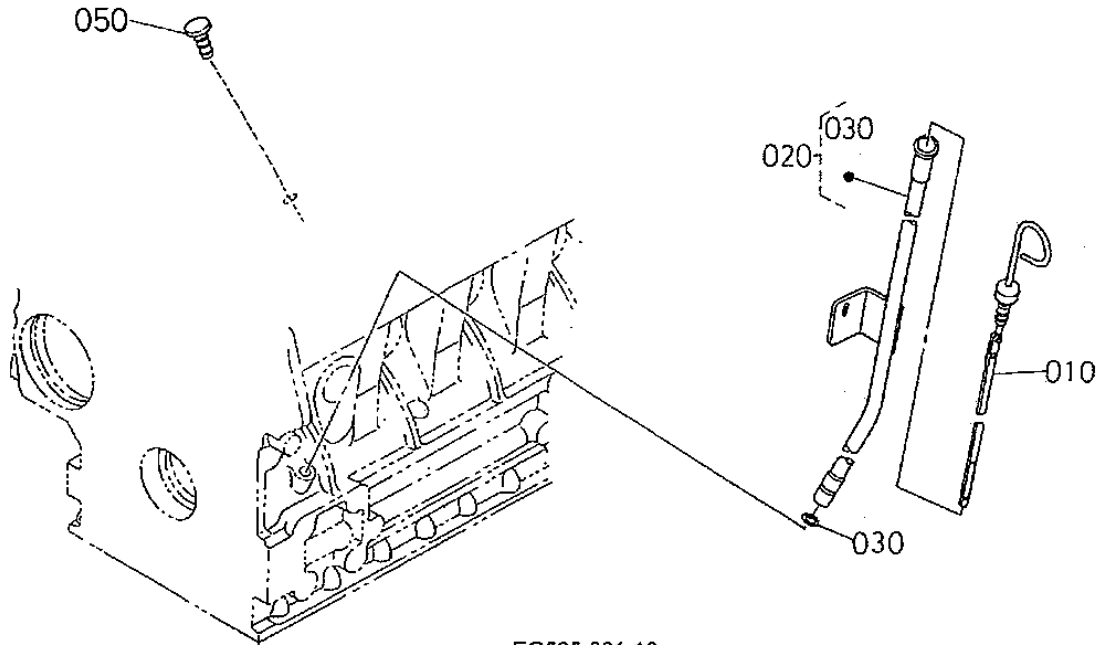
KUBOTA WG1605G ENGINE



EG525-012-10

A:WG1605-G-E3-MNTM-1

MM#	REF NO.	PART NO.	PART NAME	DESCRIPCION	DESIGNATION	Q'TY/S. NO.	I.C.	REMARKS
	No. DE REF.	No. REF.				CANTIDAD/No. DE SERIE	I/C	
	POS.No.	REFERENCE				A	I.C.	REMARQUES
3344840	010	HH160-3209-3	CARTRIDGE OIL FILTER	CONJ. CARTUCHO,ACT	CARTOUCHE FILTRANTE	1		
3344841	020	15241-3229-0	JOINT,PIPE	JUNTA,TUBO	RACCORD DE TUYAU	1		
3331645	030	04011-50180	WASHER,PLAIN	ARANDELA,SIMPLE	RONDELLE FREIN	1		



EG525-001-10

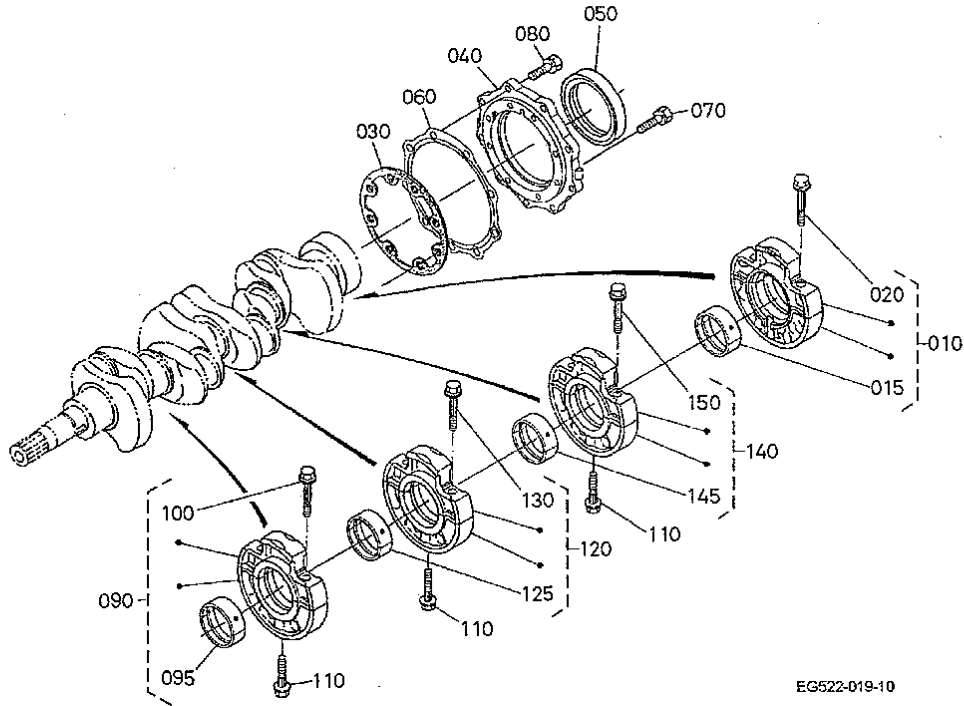
A:WG1605-G-E3-MNTM-1

MM#	REF NO.	PART NO.	PART NAME	DESCRIPCION	DESIGNATION	Q'TY/S.NO.	I.C.	REMARKS
	Nº DE REF	No. REF.				CANTIDAD/Nº. DE SERIE	I/C	
	POS.No.	REFERENCE				Q'TE/Nº.S.	I.C.	REMARQUES
3344842	010	16611-3641-3	GAUGE,OIL	MEDIDOR,ACEITE	JAUGE D'HUILE	1		
3344843	020	16282-3650-0	ASSY GUIDE,OIL GAUGE	CONJ.GUIA,ACT MDDR	ENS.JAUGE ET GUIDE	1		
3345141	030	04814-00090	O RING	O ARO	JOINT TORIQUE	1		
NA	040	----	BLANK	POSTIZO	BLANC	1		
3336926	050	16513-3655-0	PLUG(OIL GAUGE)	TAPON,ACEITE MEDIDOR	BOUCHON DE JAUGE	1		

PARTS BREAKDOWN

MAIN BEARING CASE - 010000

KUBOTA WG1605G ENGINE

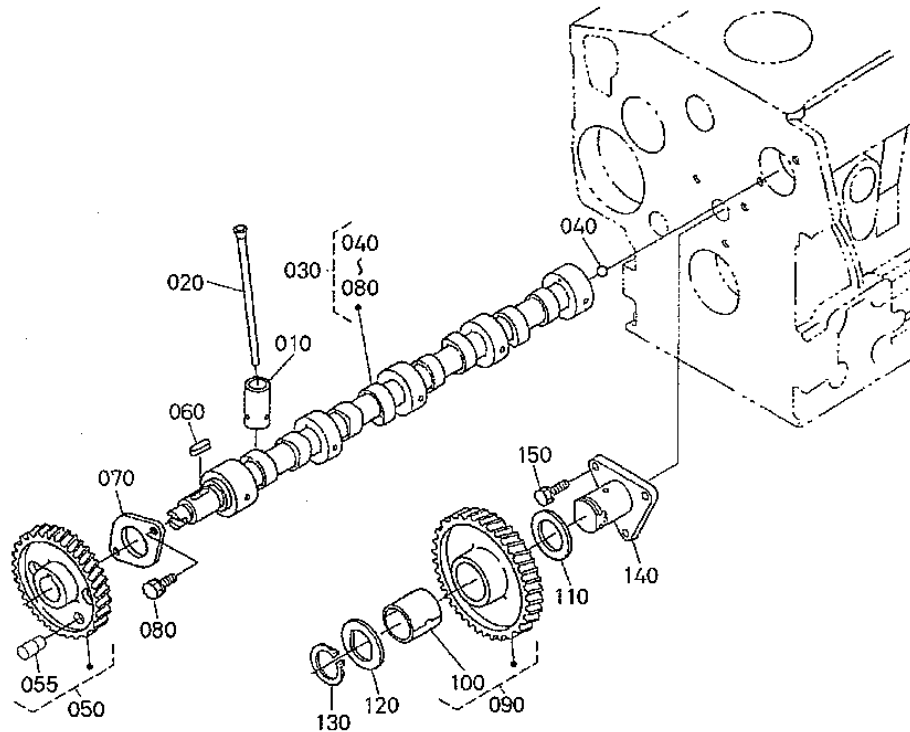


A:WG1605-G-E3-MNTM-1

MM#	REF NO. No. DE REF. POS.No.	PART NO. No. REF. REFERENCE	PART NAME	DESCRIPCION	DESIGNATION	Q'TY/S. NO.	I.C.	REMARKS NOTA REMARQUES
						CANTIDAD/No. DE SERIE Q'TE/No.S.		
						A	I.C.	
3344844	010	16292-0709-5	CASE,BRG,ASSY(WHEEL)	CONJ.PUENTE CJ,RD	ENS.PALIER VILEBREQ.	1		
3337607	015	16292-2349-4	METAL,CRANKSHAFT	METAL,CIGUENAL	COUSSINET DE VILEBR.	1		STD/SET
3337608	015	16292-2386-4	METAL,CRANKSHAFT	METAL,CIGUENAL	COUSSINET DE VILEBR.	1		-0.20mm/SET
3337609	015	16292-2387-4	METAL,CRANKSHAFT	METAL,CIGUENAL	COUSSINET DE VILEBR.	1		-0.40mm/SET
3337594	020	16241-0454-0	BOLT(CASE,BRG)	TORNILLO,RDMNT CJ	VIS	2		
3345472	030	1J095-0436-0	GASKET,BRG.CASE	JUNTA,PUENTE CAJA	JOINT	1		
3345143	040	16241-0481-5	COVER(CASE,BRG)	CUBIERTA,RDMNT CJ	PORTE JOINT	1		
3337589	050	16285-0446-0	SEAL,OIL	SELLO	BAGUE JOINT	1		
3345144	060	16264-0482-2	GASKET	JUNTA,CAJA CUBIERTA	JOINT DE CARTER FOU	1		
3345145	070	1G679-9101-0	BOLT	BULLONE	VIS	8		
3345146	080	1G679-9102-0	BOLT	BULLONE	VIS	9		
3344845	090	16292-0704-7	ASSY BRG.CASE,MAIN	CONJ.PUENTE	ENS.PALIER VILEBREQ.	1		
3345147	095	16292-2348-3	METAL,CRANKSHAFT	METAL,CIGUENAL	COUSSINET DE VILEBR.	1		STD/SET
3345175	095	16292-2393-3	METAL,CRANKSHAFT	METAL,CIGUENAL	COUSSINET DE VILEBR.	1		-0.20mm/SET
3345176	095	16292-2394-3	METAL,CRANKSHAFT	METAL,CIGUENAL	COUSSINET DE VILEBR.	1		-0.40mm/SET
3337594	100	16241-0454-0	BOLT(CASE,BRG)	TORNILLO,RDMNT CJ	VIS	2		
3337595	110	16241-0456-0	BOLT(CASE,BRG)	TORNILLO,RDMNT CJ	VIS	3		
3344846	120	16292-0705-7	ASSY BRG.CASE,MAIN	CONJ.PUENTE	ENS.PALIER VILEBREQ.	1		
3345147	125	16292-2348-3	METAL,CRANKSHAFT	METAL,CIGUENAL	COUSSINET DE VILEBR.	1		STD/SET
3345175	125	16292-2393-3	METAL,CRANKSHAFT	METAL,CIGUENAL	COUSSINET DE VILEBR.	1		-0.20mm/SET
3345176	125	16292-2394-3	METAL,CRANKSHAFT	METAL,CIGUENAL	COUSSINET DE VILEBR.	1		-0.40mm/SET
3337594	130	16241-0454-0	BOLT(CASE,BRG)	TORNILLO,RDMNT CJ	VIS	2		
3344847	140	16292-0706-7	ASSY BRG CASE	CONJ.PUENTE	ENS.PALIER VILEBREQ.	1		
3345147	145	16292-2348-3	METAL,CRANKSHAFT	METAL,CIGUENAL	COUSSINET DE VILEBR.	1		STD/SET
3345175	145	16292-2393-3	METAL,CRANKSHAFT	METAL,CIGUENAL	COUSSINET DE VILEBR.	1		-0.20mm/SET
3345176	145	16292-2394-3	METAL,CRANKSHAFT	METAL,CIGUENAL	COUSSINET DE VILEBR.	1		-0.40mm/SET
3337594	150	16241-0454-0	BOLT(CASE,BRG)	TORNILLO,RDMNT CJ	VIS	2		

CAMSHAFT AND IDLE GEAR SHAFT - 010100

KUBOTA WG1605G ENGINE



EG525-013-10

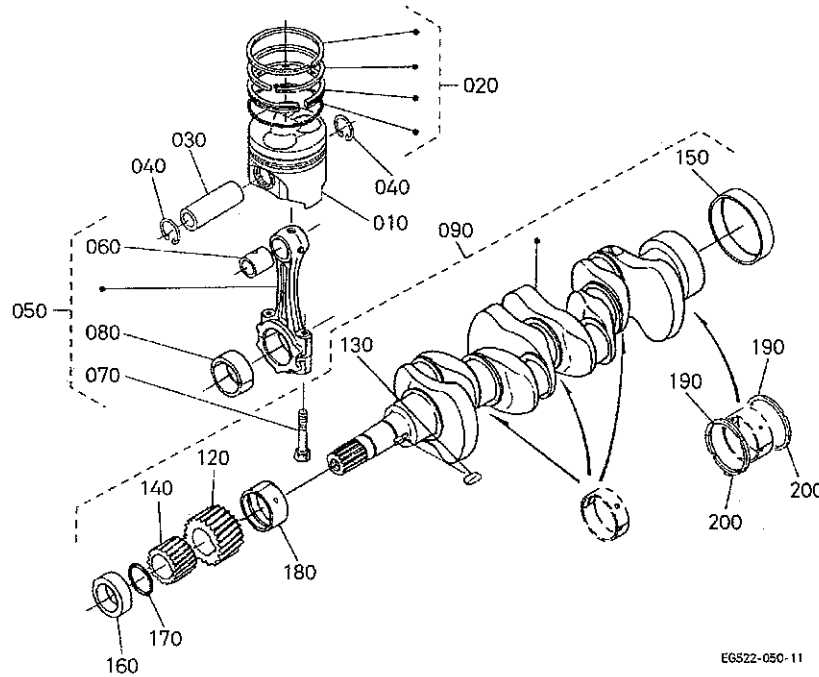
A:WG1605-G-E3-MNTM-1

MM#	REF NO.	PART NO.	PART NAME	DESCRIPCION	DESIGNATION	Q'TY/S NO.	I.C.	REMARKS
	No DE REF	No. REF.				CANTIDAD No. DE SERIE		
	POS.No.	REFERENCE				A	I.C.	REMARQUES
3337597	010	16673-1555-0	TAPPET	EMPUJADOR	POUSSOIR	8		
3345148	020	16241-1511-4	PUSH ROD	EMPUJAR VARILLA	TIGE DE POUSSOIR	8		
3344848	030	EG523-1601-0	ASSY CAMSHAFT	CONJ.ARBOL DE LEVAS	ENS.ARBRE A CAMES	1		
3331692	040	07715-00401	BALL 1/4	BOLA	BILLE	1		
3344849	050	EG523-1650-0	COMP.GEAR,CAM	COMP.ENGRANAJE, LV	COUVERCLE COMPLET	1		
3345149	055	EG523-1693-0	PIN(CAM GEAR)	CLAVIJA(MECANISMO DE LEVAS)	GOUILLE(ENGRENAGE A CAMES)	1		
3345150	060	05712-00518	FEATHER KEY	LLAVE, PLUMA	CLAVETTE	1		
3344850	070	16241-1627-0	STOPPER(CAMSHAFT)	TAPON, ARBOL DE LEVAS	BOUCHON ARBRE A CAME	1		
3331926	080	01023-50616	BOLT, SEMS	PERNO	VIS	2		
3344851	090	16271-2401-2	COMP GEAR, IDLE	COMP.ENGRANAJE	PIGNON.COMP	1		
3345151	100	16271-2498-2	BUSH, IDLE GEAR	CASQUILLO, PNT	BAGUE DU PIGNON	1		
3345152	110	16241-2436-0	COLLAR, IDLE GEAR	COLLARIN, PNT	COLLIER DE PIGNONF.	1		
3345153	120	16241-2437-0	COLLAR, IDLE GEAR	COLLARIN, PNT	COLLIER DE PIGNONF.	1		
3345154	130	16241-2432-0	CIRCLIP(IDLE GEAR)	ANILLO	CIRCLIP	1		
3345155	140	16241-2425-0	SHAFT, IDLE GEAR	EJE, PNT MRT ENGRNJ	ARBRE DE PIGNON FOU	1		
3331926	150	01023-50616	BOLT, SEMS	PERNO	VIS	3		

PARTS BREAKDOWN

PISTON AND CRANKSHAFT - 010200

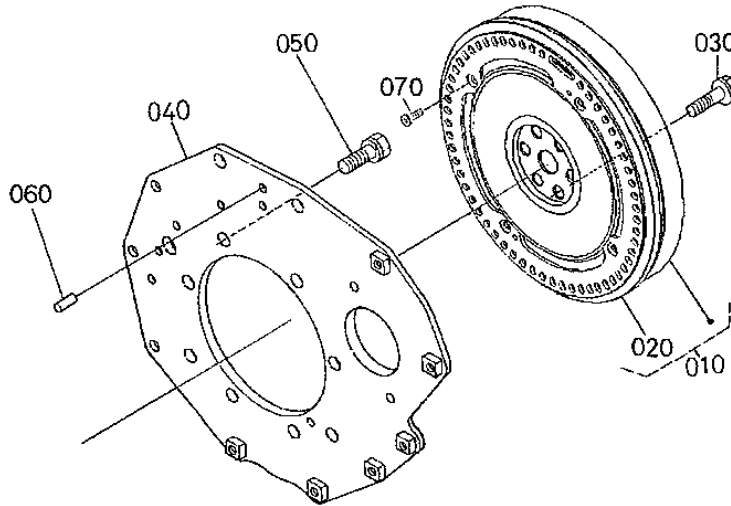
KUBOTA WG1605G ENGINE



EG522-050-11

A:WG1605-G-E3-MNTM-1

MM#	REF NO.	PART NO.	PART NAME	DESCRIPCION	DESIGNATION	Q'TY/S NO.	I.C.	REMARKS
	No. DE REF.	No. REF.				CANTIDAD/NO. DE SERIE	I/C	
	POS.No.	REFERENCE				A	I.C.	REMARQUES
3345156	010	EG523-2111-0	PISTON	PISTON	PISTON	4		STD
3345157	010	EG523-2191-0	PISTON	PISTON	PISTON	4		+0.50mm
3344852	020	EG523-2105-0	ASSY PISTON RING	CONJUNTO PISTON ARO	ENS.SEGMENT	4		STD
3345158	020	EG523-2109-0	ASSY PISTON RING	CONJUNTO PISTON ARO	ENS.SEGMENT	4		+0.50mm
3345159	030	16241-2131-0	PIN,PISTON	PASADOR,PISTON	AXE DE PISTON	4		
3345160	040	16241-2133-0	CIRCLIP(PIN,PISTON)	ANILLO	CIRCLIP	8		
3344853	050	16292-2201-6	ROD,CONNECTING,ASSY	CONJ.VARILLA,CNCTND	ENS.BIELLE	4		
3345161	060	16700-2198-0	BUSHING(PIN,PISTON)	CASQUILLO,PSTN PSDR	BAGUE DE BIELLE	4		
3345162	070	16241-2214-2	BOLT(CONNECTING ROD)	TORNILLO,CNCTND VRL	VIS DE BIELLE	8		
3345163	080	16292-2231-0	METAL(PIN,CRANK)	METAL,MUNEQUILLA	COUSSINET DE BIELLE	4		STD/SET
3345164	080	16292-2297-2	METAL,CRANKPIN	METAL,MUNEQUILLA	COUSSINET DE BIELLE	4		-0.20mm/SET
3345165	080	16292-2298-2	METAL,CRANKPIN	METAL,MUNEQUILLA	COUSSINET DE BIELLE	4		-0.40mm/SET
3344854	090	16871-2301-6	COMP.CRANKSHAFT	COMPLETO CIGUENAL	COUSSINET DE LATERAL	1		
NA	100	---	BLANK	POSTIZO	BLANC	-		
NA	110	---	BLANK	POSTIZO	BLANC	-		
3345166	120	1A055-2411-0	GEAR(CRANKSHAFT)	ENGRANAJE,CIGUENAL	PIGNON DE VILEBREQ.	1		
3345167	130	16271-9523-0	KEY	LLAVE	CLAVETTE	1		
3345168	140	1J050-3563-0	GEAR,OIL PUMP DRIVE	ENGRANAJE,ACT	PIGNON ENTRAIN.POMPE	1		
3345169	150	16241-2328-0	SLEEVE,CRANKSHAFT	CASQUILLO,CIGUENAL	FRETTE ARRIERE	1		
3345170	160	1J050-2325-0	COLLAR,CRANKSHAFT	COLLIER VILEBREQUIN	COLLARIN,CIGUENAL	1		
3345171	170	04814-10280	RING	ARO	BAGUE	1		
3345172	180	16292-2347-3	METAL(CRANKSHAFT)	METAL,CIGUENAL	COUSSINET DE VILEBR.	1		STD
3345173	180	16292-2391-3	METAL(CRANKSHAFT)	METAL,CIGUENAL	COUSSINET DE VILEBR.	1		-0.20mm
3345174	180	16292-2392-3	METAL(CRANKSHAFT)	METAL,CIGUENAL	COUSSINET DE VILEBR.	1		-0.40mm
3345177	190	15521-2353-3	METAL,SIDE	METAL,LADO	COUSSINET DE LATERAL	2		STD
3345178	190	15521-2395-3	METAL,SIDE	METAL,LADO	COUSSINET DE LATERAL	2		+0.20mm
3345179	190	15521-2396-3	METAL,SIDE	METAL,LADO	COUSSINET DE LATERAL	2		+0.40mm
3345180	200	19202-2354-3	METAL,SIDE	METAL,LADO	COUSSINET DE LATERAL	2		STD
3345181	200	19202-2397-3	METAL,SIDE	METAL,LADO	COUSSINET DE LATERAL	2		+0.20mm
3345182	200	19202-2398-3	METAL,SIDE	METAL,LADO	COUSSINET DE LATERAL	2		+0.40mm



EG525-007-10

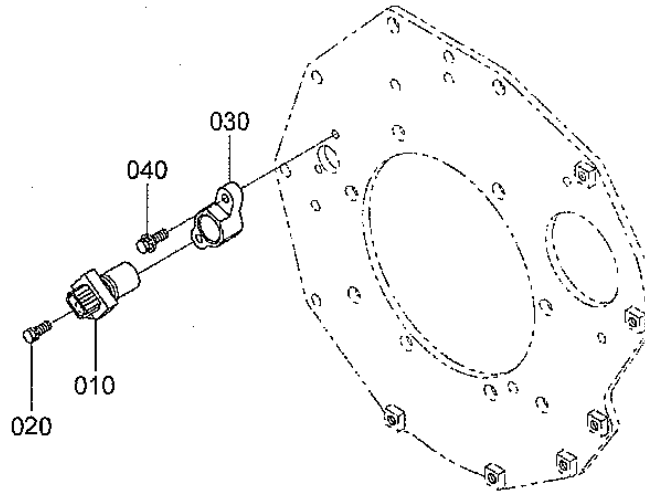
A:WG1605-G-E3-MNTM-1

MM#	REF NO. No. DEREF POS.No.	PART NO. No. REF. REFERENCE	PART NAME	DESCRIPCION	DESIGNATION	Q'TY/S.NO. CANTIDAD/No. DE SERIE	I.C.	REMARKS
						A	I.C.	NOTA REMARQUES
3344855	010	EG523-2501-0	COMP.FLYWHEEL	COMPLETO VOLANTE	VOLANT MOTEUR COMP.	1		
3345183	020	1G081-6382-0	GEAR,RING	ENGRANAJE,ARO	COURONNE DE DEMARRE.	1		
3336938	030	16241-2516-0	BOLT,FLYWHEEL	TORNILLO,VOLANTE	VIS DE VOLANT	6		
3345184	040	EG522-0462-0	PLATE,REAR END	PLACA,TRASERO FIN	PLAQUE ARRIERE-TRAIN	1		
3345185	050	15261-9119-0	BOLT	TORNILLO	VIS	8		
3345186	060	05012-00512	PIN,STRAIGHT	PASADOR	GOUPILLE CYLINDRIQUE	2		
3345187	070	03016-50616	SCREW,FLAT HEAD(PHIL	TORNILLO	VIS	4		

PARTS BREAKDOWN

SENSOR - 026000

KUBOTA WG1605G ENGINE



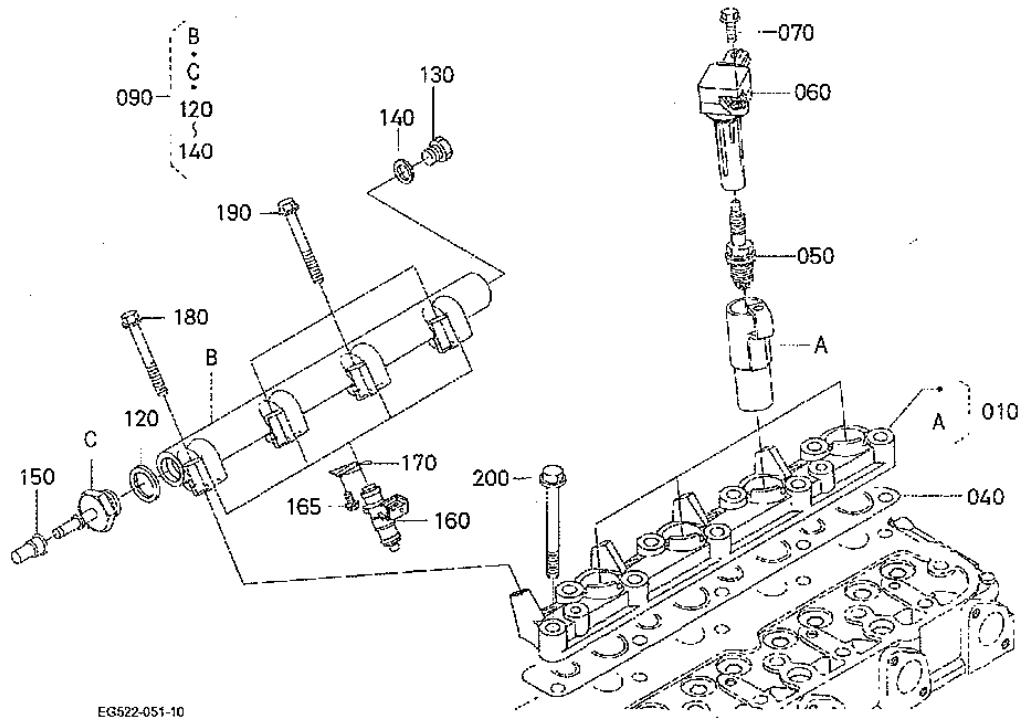
EG525-015-10

A:WG1605-G-E3-MNTM-1

MM#	REF. NO.	PART NO.	PART NAME	DESCRIPCION	DESIGNATION	Q'TY/S. NO.	I.C.	REMARKS
	No DE REF	No. REF.				CANTIDAD/No. DE SERIE		
	POS.No.	REFERENCE				A	I.C.	REMARQUES
3344858	010	E9121-6833-2	ASSY SENSOR,STICK	CONJUNTO SENSOR,PALO	ENS.CONTACTEUR	1		
3332086	020	01754-50630	BOLT,FLANGE	TORNILLO,BRIDA	VIS DE BUTEE	1		
3344859	030	EG523-5285-0	HOLDER(SENSOR)	SOPORTE,SENSOR	SUPPORT	1		
3344835	040	01754-50616	BOLT,FLANGE	TORNILLO,BRIDA	VIS DE BUTEE	1		

IGNITION COIL - 030200

KUBOTA WG1605G ENGINE



EG522-051-10

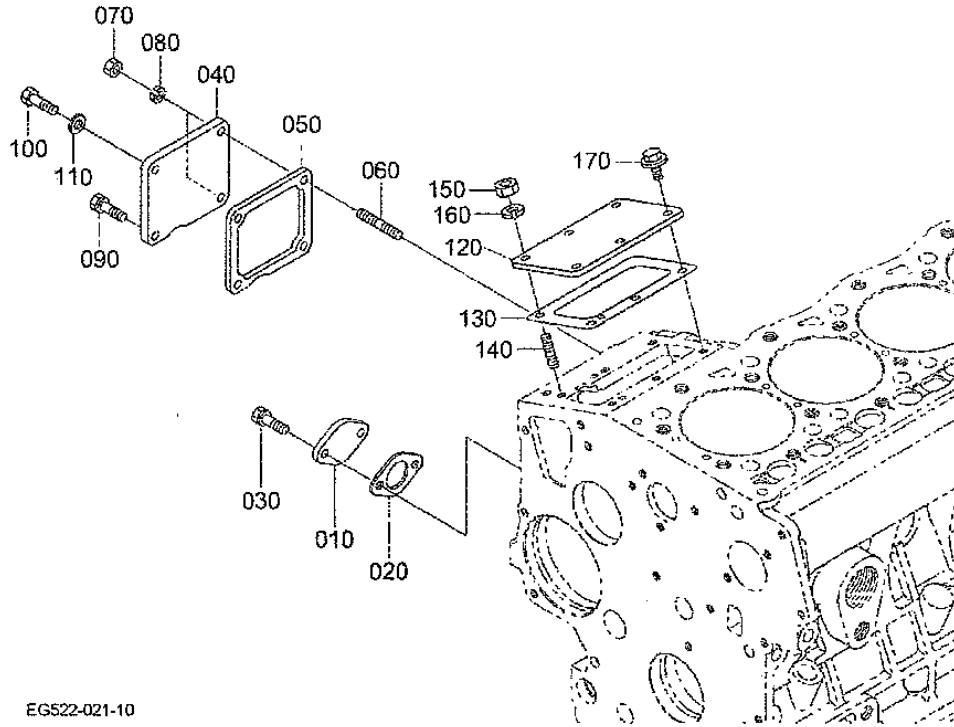
A:WG1605-G-E3-MNTM-1

MM#	REF NO.	PART NO.	PART NAME	DESCRIPCION	DESIGNATION	Q'TY/S.NO.	I.C.	REMARKS
	No DE REF	No. REF.				CANTIDAD No. DE SERIE		
	POS.No.	REFERENCE				A	I.C.	NOTA
3345481	010	EG522-4500-0	FLANGE,COMP INJECTOR	BRIDA, COMP.	FLASQUE, COMP.	1		
NA	020	----	BLANK	POSTIZO	BLANC	-		
NA	030	----	BLANK	POSTIZO	BLANC	-		
3345482	040	EG522-4505-0	GASKET (FLANGE)	JUNTA (BRIDA)	JOINT D'ÉTANCHÉITÉ (BRIDE)	1		
3344861	050	EG523-6771-0	SPARK PLUG	CHISPA TAPON	D'ALLUMAGE	4		
3344862	060	EG523-6709-0	COIL (IGNITION)	BOBINA, ENCENDIDO	BOBINE D'ALLUMAGE	4		
3344835	070	01754-50616	BOLT, FLANGE	TORNILLO, BRIDA	VIS DE BUTÉE	4		
NA	080	----	BLANK	POSTIZO	BLANC	-		
3345479	090	EG522-4403-0	ASSY PIPE, DELIVERY	CONJ. TUBO, ENTRG	TUYAU DE REFOU, COMP.	1		
NA	100	----	BLANK	POSTIZO	BLANC	-		
NA	110	----	BLANK	POSTIZO	BLANC	-		
3345469	120	04724-00200	PACKING	JUNTA	JOINT	1		
3345470	130	06331-35012	PLUG	TAPON	BOUCHON	1		
3345468	140	04724-00120	GASKET	JUNTA	JOINT	1		
3345477	150	EG522-4264-0	CAP (FUEL)	TAPA, COMBUSTIBLE	BOUCHON DE RESERVOIR	1		
3345478	160	EG522-4402-0	INJECTOR	INYECTOR	INJECTEUR	4		
3345194	165	01754-50612	BOLT, FLANGE	TORNILLO, BRIDA	VIS DE BUTÉE	4		
3345480	170	EG522-4412-0	STOPPER (INJECTOR)	TOPE	BUTÉE	4		
3332086	180	01754-50630	BOLT, FLANGE	TORNILLO, BRIDA	VIS DE BUTÉE	1		
3345467	190	01754-50645	BOLT, FLANGE	TORNILLO, BRIDA	VIS DE BUTÉE	3		
3345195	200	EG523-0345-0	BOLT, CYLINDER HEAD	TORNILLO, CLNDR CLT	VIS DE CYLINDRE	9		

PARTS BREAKDOWN

COVER - 030500

KUBOTA WG1605G ENGINE



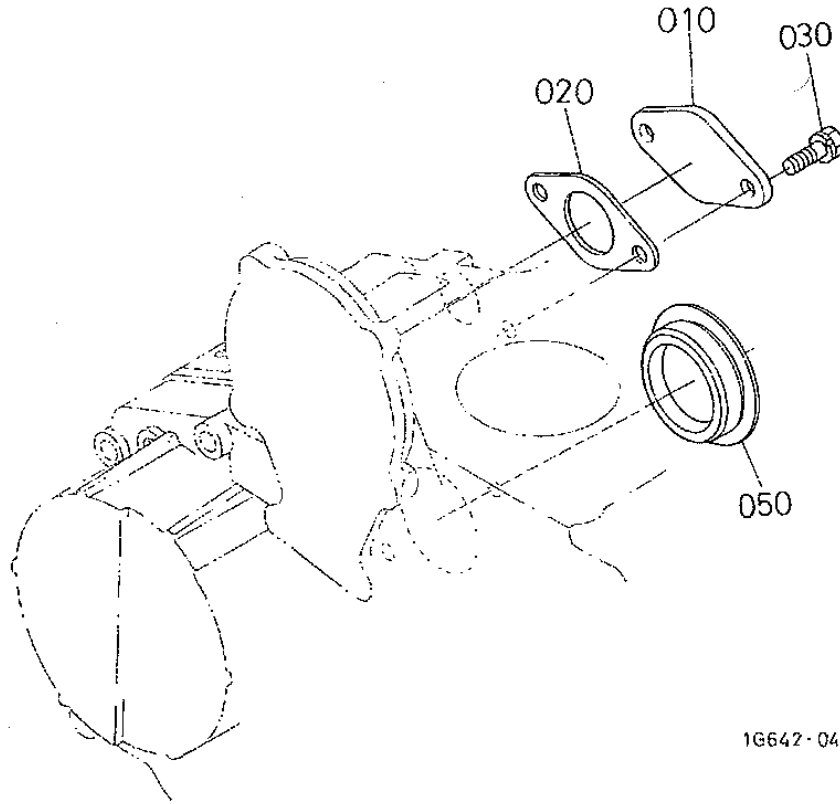
EG522-021-10

A:WG1605-G-E3-MNTM-1

MM#	REF. NO. Nº DE REF. POS.No.	PART NO. No. REF. REFERENCE	PART NAME	DESCRIPCION	DESIGNATION	QTY/S.NO.	I.C.	REMARKS NOTA REMARQUES
						CANTIDAD/Nº DE SERIE QTE/No.S.		
3345188	010	16241-5625-3	COVER,FORK LEV.SHAFT	CUBIERTA,BFRCCN	COUV.FOURCHE ARBRE	1		
3344856	020	16299-5626-0	GASKET	JUNTA	JOINT	1		
3332078	030	01023-50612	BOLT,SEMS	PERNO	VIS	2		
3345189	040	15668-5711-0	COVER	CUBIERTA	COUVERCLE	1		
3336924	050	16264-5721-0	GASKET	JUNTA	JOINT	1		
3345131	060	16245-9154-0	STUD	ESPARRAGO	GOUJON	2		
3331620	070	02056-50060	HEX.NUT	TUERCA	ECROU	2		
3331575	080	04512-50060	WASHER,SPRING LOCK	ARANDELA DE MUELLE	RONDELLE GROWER	2		
3332078	090	01023-50612	BOLT,SEMS	PERNO	VIS	1		
3345190	100	01053-50616	HEX.BOLT	BULLONE	VIS	1		
3331828	110	15601-9665-0	GASKET	JUNTA	JOINT	1		
3345191	120	EG523-0193-0	COVER,INJECTION PUMP	CUBIERTA,INYCCN BMB	COUVERCLE FILTRE D'	1		
3344857	130	16040-5209-2	SHIM,INJECTION	SUPLEMENTO,INYCCN	CALE,POMPE INJECTION	1		0.200mm
3345192	140	15841-9150-0	STUD	ESPARRAGO	GOUJON	3		
3345193	150	02014-50060	HEX.NUT	TUERCA	ECROU	3		
3331575	160	04512-50060	WASHER,SPRING LOCK	ARANDELA DE MUELLE	RONDELLE GROWER	3		
3345194	170	01754-50612	BOLT,FLANGE	TORNILLO,BRIDA	VIS DE BUTEE	3		

STOP SOLENOID - 030800

KUBOTA WG1605G ENGINE



1G642-043-1C

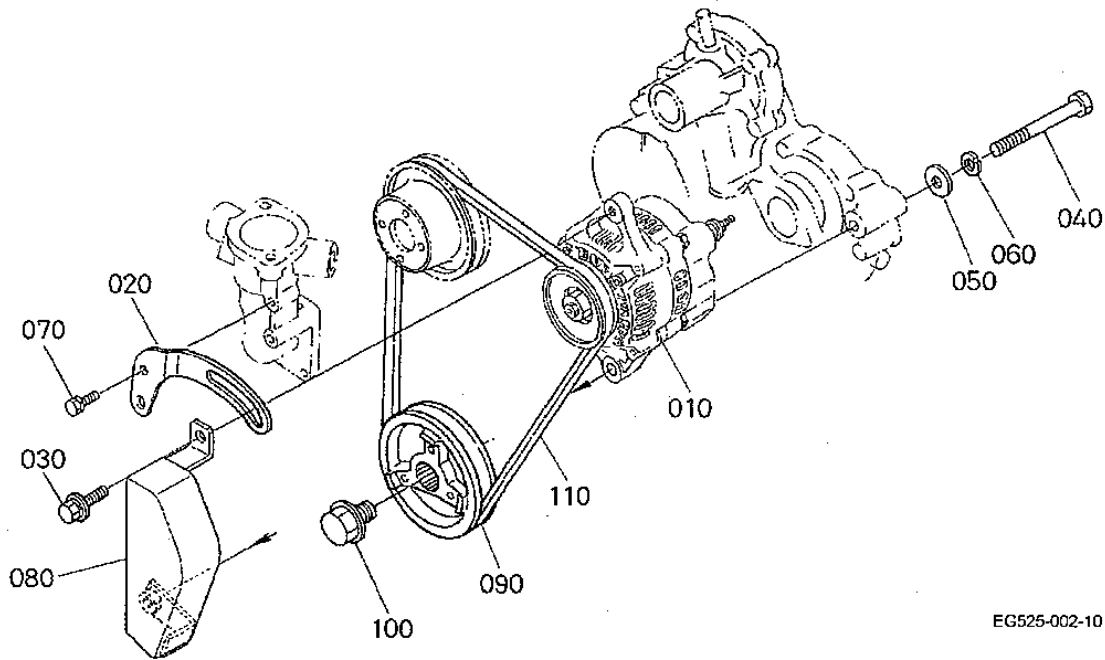
A:WG1605-G-E3-MNTM-1

MM#	REF NO.	PART NO.	PART NAME	DESCRIPCION	DESIGNATION	Q'TY/S.NO.	I.C.	REMARKS
	No DE REF	No. REF.				CANTIDAD/No. DE SERIE	I/C	
	POS.No.	REFERENCE				A	I.C.	REMARQUES
3345198	010	16231-6011-0	COVER,SOLENOID	CUBIERTA,SOLENOIDE	COUVERCLE	1		
3329873	020	16299-6015-0	GASKET	JUNTA	JOINT	1		
3331926	030	01023-50616	BOLT,SEMS	PERNO	VIS	2		
NA	040	----	BLANK	POSTIZO	BLANC	-		
3336925	050	16264-8315-3	COVER,HYDRAULIC PUMP	CUBIERTA,HDRLC BMB	COUVERCLE,POMPE HYD.	1		

PARTS BREAKDOWN

ALTERNATOR AND PULLEY - 040200

KUBOTA WG1605G ENGINE



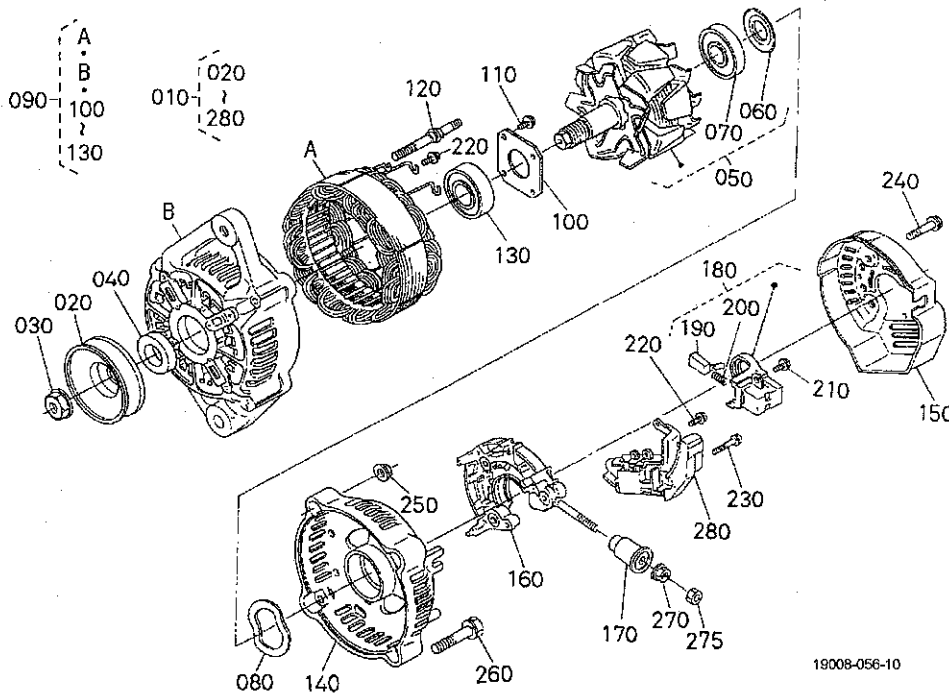
EG525-002-10

A:WG1605-G-E3-MNTM-1

MM#	REF NO.	PART NO.	PART NAME	DESCRIPCION	DESIGNATION	Q'TY/S.N.O.	I.C.	REMARKS
	No DE REF	No. REF.				CANTIDAD/No. DE SERIE		
	POS.No.	REFERENCE				A	I.C.	REMARQUES
3335849	010	16678-6401-2	ASSY ALTERNATOR	CONJUNTO ALTERNADOR	ALTERNATEUR COMPLET	1		
3336067	020	16241-6442-2	STAY,DYNAMO	SOPORTE,DINAMO	TENDEUR	1		
3338402	030	01127-50830	BOLT,W SEMS(LARGE WA	BULLONE	VIS	1		
3345199	040	01173-51085	HEX.BOLT	TORNILLO	VIS	1		
3345200	050	04011-50100	WASHER,PLAIN	ARANDELA,SIMPLE	RONDELLE FREIN	1		
3345201	060	04512-50100	WASHER,SPRING LOCK	ARANDELA DE MUELLE	RONDELLE GROWER	1		
3331926	070	01023-50616	BOLT,SEMS	PERNO	VIS	1		
3331935	080	16616-1386-0	COVER,BELT	CORREA CUBIERTA	COUV.DE COURROIE	1		
3336937	090	16249-7428-0	PULLEY,FAN DRIVE	POLEA,VNTLDR ACCNR	POULIE ENTRAIN.VENT.	1		
3336934	100	16241-9102-0	BOLT(FAN DRIVE)	TORNILLO,VNTLDR	VIS	1		
3344863	110	16241-9701-3	V BELT	CORREA DE VENTILADOR	COURROIE VENTILATEUR	1		37.0IN

ALTERNATOR [COMPONENT PARTS] - 040300

KUBOTA WG1605G ENGINE



19008-056-10

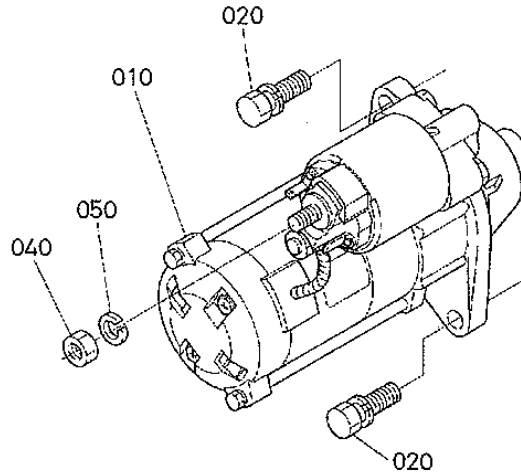
A:WG1605-G-E3-MNTM-1

MM#	REF. NO. No. DE REF. POS.No.	PART NO. No. REF. REFERENCE	PART NAME	DESCRIPCION	DESIGNATION	Q'TY/S.NO. CANTIDAD/NO. DE SERIE Q'TE/No.S. A	I.C. I/C I.C.	REMARKS NOTA REMARQUES
3335849	010	16678-6401-2	ASSY ALTERNATOR	CONJUNTO ALTERNADOR	ALTERNATEUR COMPLET	1		
3345202	020	15881-6411-0	PULLEY(DYNAMO)	POLEA,DINAMO	POULIE D'ALTERNATEUR	1		
3331957	030	15881-9201-0	NUT	TUERCA	ECROU	1		
3331958	040	15881-6415-0	COLLAR	COLLAR	COLLIER	1		
3345203	050	66436-6404-0	ROTOR	ROTOR	ROTOR	1		
3331960	060	15881-6480-0	COVER(BEARING)	CUBIERTA,RODAMIENTO	COUVERCLE	1		
3345204	070	16652-6477-0	BRG.BALL	RODAMIENTO	ROULEMENT A BILLES	1		
3345205	080	15881-6481-0	WASHER(THRUST)	ARANDELA,EMPUJE	RONDELLE DE BUTEE	1		
3345206	090	66436-6402-0	FRAME,ASSY(DRIVE END)	BASTIDOR,ACCNR FN	BATI	1		
3331964	100	15881-6471-0	PLATE(RETAINER)	PLACA,RETENEDOR	PLAQUE RETENUE	1		
3331965	110	15881-9301-0	SCREW,RD HD	TORNILLO,RDND CLT	VIS A TETE RONDE	4		
3331966	120	15881-6426-0	BOLT(THROUGH)	TORNILLO,A TRAVES	VIS,PASSANT	2		
3345207	130	16652-6478-0	BRG.BALL	RODAMIENTO	ROULEMENT A BILLES	1		
3345208	140	16678-6406-0	FRAME, END	BASTIDOR,FIN	BATI	1		
3345209	150	16678-6423-0	COVER,END	CUBIERTA,FIN	PALIER ARRIERE	1		
3345210	160	15881-6485-0	ASSY RECTIFIER	CONJ.RECTIFICADOR	REDRESSEUR	1		
3345211	170	15881-6490-0	BUSHING(INSULATION)	CASQUILLO,ASLMNT	BAGUE ISOLANTE	1		
3345212	180	16652-6431-0	HOLDER(BRUSH)	SOPORTE,ESCOBILLA	PORTE-BALAI	1		
3331973	190	15881-6409-0	BRUSH	ESCOBILLA	PATTE D'ATTACHE	2		
3331974	200	15881-6433-0	SPRING(BRUSH)	RESORTE,ESCOBILLA	RESSORT DE BALAI	2		
3331975	210	15881-9302-0	SCREW,RD HD	TORNILLO,RDND CLT	VIS A TETE RONDE	2		
3331976	220	15881-9303-0	SCREW,RD HD	TORNILLO,RDND CLT	VIS A TETE RONDE	6		
3331977	230	15881-9304-0	SCREW,RD HD	TORNILLO,RDND CLT	VIS A TETE RONDE	1		
3331978	240	15881-9104-0	BOLT	TORNILLO	VIS	3		
3331979	250	15881-9202-0	NUT	TUERCA	ECROU	2		
3331980	260	15881-9105-0	BOLT	TORNILLO	VIS	2		
3331981	270	14182-9203-0	NUT	TUERCA	ECROU	1		
3345193	275	02014-50060	HEX.NUT	TUERCA	ECROU	1		
3345213	280	16652-6460-0	ASSY REGULATOR	CONJUNTO REGULADOR	REGULATEUR	1		

PARTS BREAKDOWN

STARTER - 040400

KUBOTA WG1605G ENGINE



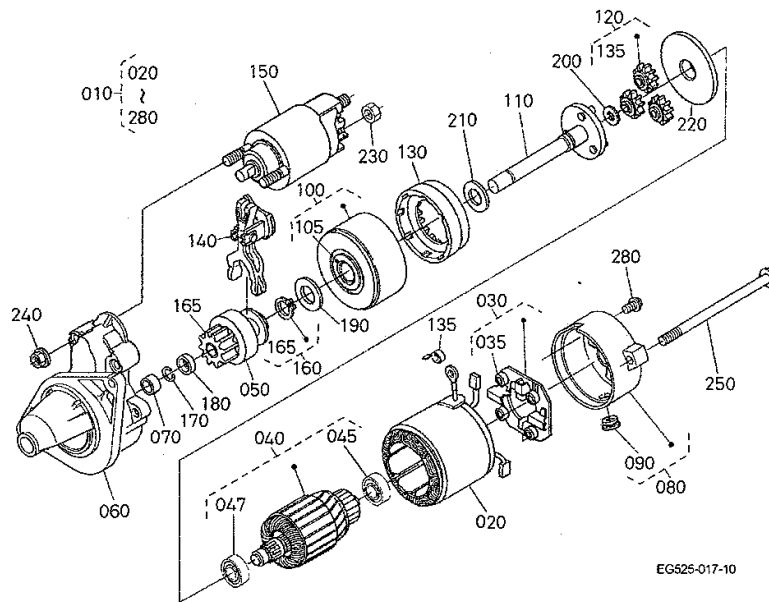
EG525-003-10

A:WG1605-G-E3-MNTM-1

MM#	REF. NO.	PART NO.	PART NAME	DESCRIPCION	DESIGNATION	Q'TY/S. NO.	I.C.	REMARKS
	Nº DE REF.	No. REF.				CANTIDAD/NO. DE SERIE	I/C	
	POS.No.	REFERENCE				Q'TE/No.S.	I.C.	REMARQUES
3344864	010	EG523-6301-0	ASSY STARTER	CONJ.MOTOR ARRANQUE	ENS.DEMARREUR	1		
3331931	020	01123-50830	BOLT,SEMS	PERNO	VIS	2		
NA	030	----	BLANK	POSTIZO	BLANC	-		
3331989	040	02114-50080	HEX.NUT	TUERCA	ÉCROU	1		
3345214	050	04512-50080	WASHER,SPRING LOCK	ARANDELA DE MUELLE	RONDELLE GROWER	1		

STARTER [COMPONENT PARTS] - 040500

KUBOTA WG1605G ENGINE



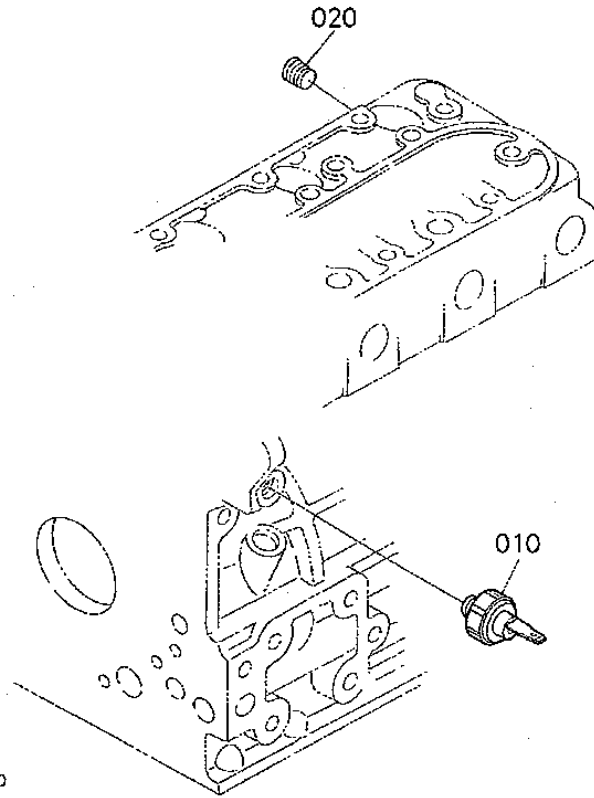
A:WG1605-G-E3-MNTM-1

MM#	REF. NO. No. DE REF. POS.No.	PART NO. No. REF. REFERENCE	PART NAME	DESCRIPCION	DESIGNATION	Q'TY/S. NO. CANTIDAD/No. DE SERIE Q'TE/No. S.	I.C. I/C I.C.	REMARKS NOTA REMARQUES
						A		
3344864	010	EG523-6301-0	ASSY STARTER	CONJ.MOTOR ARRANQUE	ENS.DEMARREUR	1		
3345215	020	6A100-3116-0	YOKE,ASSY(STARTER)	CONJ.YUGO,MTR ARRNO	ENS.FOURCHE	1		
3345216	030	14958-6338-0	HOLDER,ASSY	CONJUNTO SOPORTE	ENS.SUPPORT	1		
3345217	035	14958-6348-0	SPRING,BRUSH	RESORTE,ESCOBILLA	RESSORT DE BALAI	4		
3345218	040	6A100-3117-0	ARMATURE,ASSY	CONJUNTO INDUCIDO	ENS.ARMATURE	1		
3345219	045	15504-6353-0	BEARING,BALL	RODAMIENTO	ROULEMENT A BILLES	1		
3345220	047	15504-6350-0	BEARING,BALL	RODAMIENTO	ROULEMENT A BILLES	1		
3345221	050	K3511-8143-0	CLUTCH,ASSY(STARTER)	CONJ.EMBRAGUE	ENS.EMBRAYAGE	1		
3345222	060	EG523-3118-0	ASSY HOUSING,STARTER	CONJ.CARCASA	ENS.CARTER DEMARREUR	1		
3345223	070	6A100-3119-0	BEARING	RODAMIENTO	ROULEMENT	1		
3345224	080	EG515-6345-0	ASSY FRAME	CONJUNTO BASTIDOR	ENS.CHASSIS	1		
3345225	090	12182-6329-0	COVER	CUBIERTA	COUVERCLE	1		
3345226	100	14958-6353-0	BEARING,SUB-ASSY	CONJUNTO RODAMIENTO	ENS ROULEMENT	1		
3345227	105	14958-6306-0	BEARING	RODAMIENTO	ROULEMENT	1		
3345228	110	K3511-8146-0	SHAFT,SUB-ASSY(STARTER)	CONJ.EJE,MTR D ARRNO	ENS.ARBRE	1		
3345229	120	14958-6326-0	GEAR	ENGRANAJE	ENGRENAGE	3		
3345230	130	14958-6327-0	GEAR	ENGRANAJE	ENGRENAGE	1		
3332004	135	15401-6339-0	SPRING(BRUSH)	RESORTE,ESCOBILLA	RESSORT DE BALAI	4		
3345231	140	14958-6305-0	LEVER	PALANCA	LEVIER	1		
3345232	150	EG371-6308-0	SWITCH(MAGNETIC)	CONJ.CONMUTADOR	SOLENOIDE	1		
3345233	160	14958-6317-0	CIRCLIP	ARO,BRCH D PRSN	BAGUE ELASTIQUE	1		
3345234	165	17311-6328-0	GEAR(PINION)	ENGRANAJE,PINON	PIGNON	1		
3345235	170	12181-6322-0	CIRCLIP	ARO,BRCH D PRSN	BAGUE ELASTIQUE	1		
3345236	180	13816-6346-0	COLLAR	COLLAR	COLLIER	1		
3345237	190	14958-9401-0	WASHER,PLAIN	ARANDELA,SIMPLE	RONDELLE FREIN	1		
3345238	200	14958-9402-0	WASHER,PLAIN	ARANDELA,SIMPLE	RONDELLE FREIN	1		
3345239	210	14958-9403-0	WASHER,PLAIN	ARANDELA,SIMPLE	RONDELLE FREIN	1		
3345240	220	14958-9404-0	PLATE	PLACA	PLAQUE	1		
3345241	230	16611-9202-0	NUT	TUERCA,HEXAGONO	ECROU HEXAGONAL	1		
3345242	240	14278-9201-0	NUT	TUERCA	ECROU	2		
3345243	250	11460-6332-0	BOLT(THROUGH)	TORNILLO,A TRAVES	VIS,PASSANT	2		
NA	260	----	BLANK	POSTIZO	BLANC	-		
NA	270	----	BLANK	POSTIZO	BLANC	-		
3345244	280	K3511-8148-0	SCREW	TORNILLO	VIS	2		

PARTS BREAKDOWN

OIL SWITCH/THERMOMETER/PLUG - 040600

KUBOTA WG1605G ENGINE



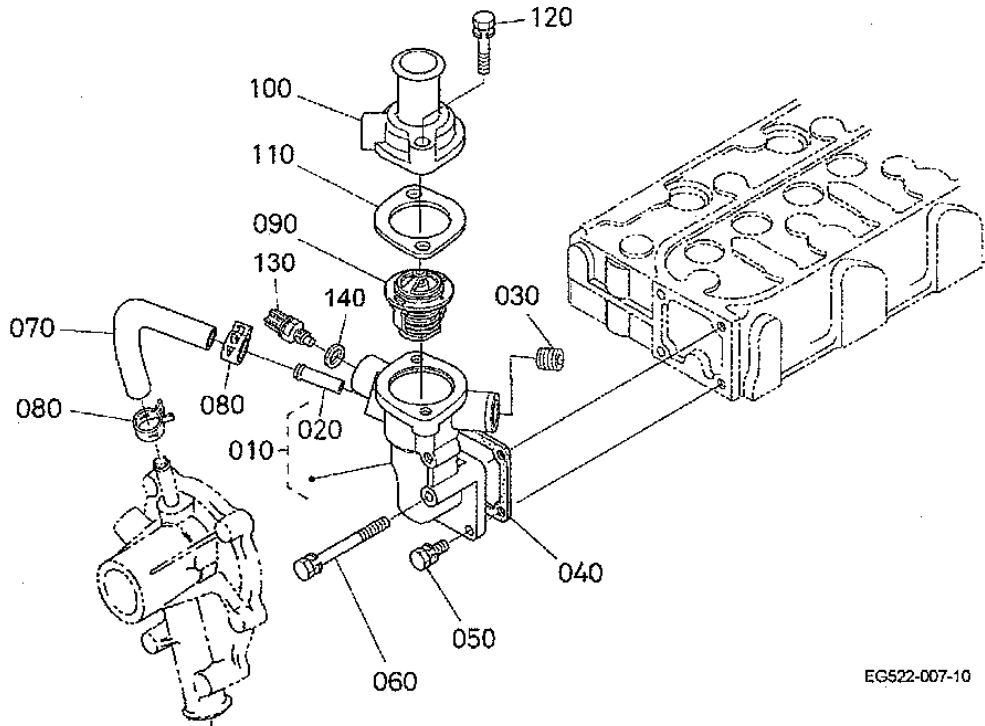
EG525-018-10

A:WG1605-G-E3-MNTM-1

MM#	REF. NO. No. DE REF. POS. No.	PART NO. No. REF. REFERENCE	PART NAME	DESCRIPCION	DESIGNATION	Q'TY/S. NO. CANTIDAD/No. DE SERIE	I.C. I/C	REMARKS NOTA
						Q'TE/No. S.	I.C.	REMARQUES
3344865	010	1A024-3901-0	SWITCH OIL	CONMUTADOR, ACEITE	MANO-CONTACT D'HUILE	1 A		
3345245	020	15841-9602-0	PLUG	TAPON	BOUCHON	1		

WATER FLANGE AND THERMOSTAT - 050000

KUBOTA WG1605G ENGINE



EG522-007-10

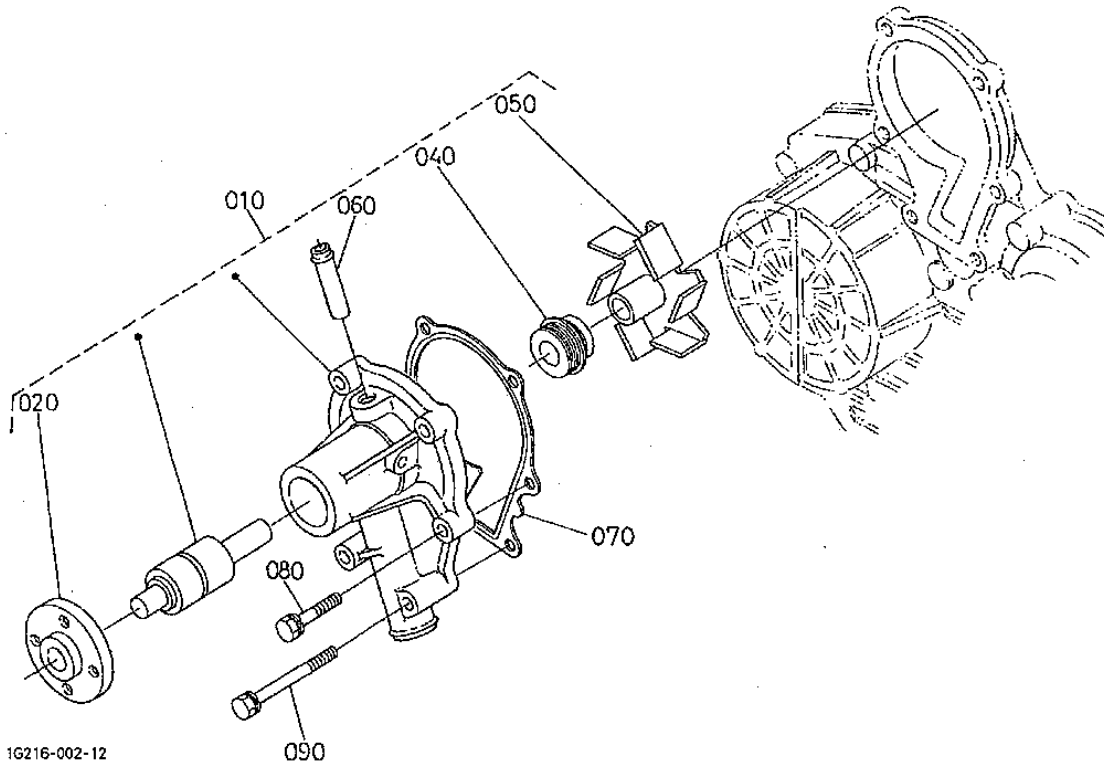
A:WG1605-G-E3-MNTM-1

MM#	REF. NO.	PART NO.	PART NAME	DESCRIPCION	DESIGNATION	Q'TY/S.NO.	I.C.	REMARKS
	NO. DE REF.	No. REF.				CANTIDAD/NO. DE SERIE		
	POS.No.	REFERENCE				A	I.C.	REMARQUES
3345246	010	16394-7270-0	COMP.FLANGE,WATER	COMPLETO BRIDA,AGUA	BRIDE A EAU COMP.	1		
3345247	020	16241-7337-0	PIPE(WATER RETURN)	TUBO,AGUA DEVOLVER	TUYAU RETOUR D'EAU	1		
3345248	030	1A021-9602-0	PLUG	TAPON	BOUCHON	1		
3336915	040	16264-7292-0	GASKET(FLANGE,WATER)	JUNTA,AGUA BRIDA	JOINT DE BRIDE	1		
3331926	050	01023-50616	BOLT,SEMS	PERNO	VIS	3		
3345127	060	01023-50655	BOLT,SEMS	TORNILLO	VIS	1		
3336931	070	16241-7335-0	PIPE(WATER RETURN)	TUBO,AGUA DEVOLVER	TUYAU RETOUR D'EAU	1		
3345249	080	16687-7336-2	CLAMP,HOSE	ABRAZADERA	COLLIER DE DURITE	2		
3350446	090	19434-7301-4	ASSY THERMOSTAT	CONJUNTO TERMOSTATO	THERMOSTAT COMP.	1		
3336919	100	16219-7326-0	COVER(THERMOSTAT)	CUBIERTA	COUV.DE THERMOSTAT	1		
3336918	110	16221-7327-0	GASKET(THERMOSTAT)	JUNTA,TERMOSTATO	JOINT	1		
3338409	120	01123-50835	BOLT,SEMS	PERNO	VIS	2		
3344866	130	5H601-4194-0	SENSOR(WATER TEMP.)	SENSOR,AGUA TEMP.	DETECTEUR	1		
3344867	140	04717-01200	WASHER,SEAL	ARANDELA,CON CAUCHO	JOINT EN CAOUTCHOUC	1		

PARTS BREAKDOWN

WATER PUMP - 050100

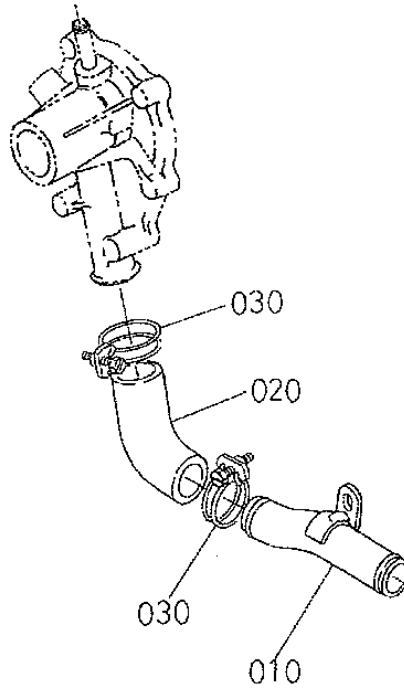
KUBOTA WG1605G ENGINE



1G216-002-12

A:WG1605-G-E3-MNTM-1

MM#	REF NO.	PART NO.	PART NAME	DESCRIPCION	DESIGNATION	Q'TY/S. NO.	I.C.	REMARKS
	No. DE REF.	No. REF.				CANTIDAD/No. DE SERIE		
	POS.No.	REFERENCE				A	I.C.	REMARQUES
3330792	010	16251-7303-4	PUMP, WATER, ASSY	CONJUNTO BOMBA, AGUA	ENS. POMPE A EAU	1		
3345250	020	16259-7352-0	FLANGE(PUMP, WATER)	BRIDA, AGUA BOMBA	BRIDE DE POMPE A EAU	1		
NA	030	---	BLANK	POSTIZO	BLANC	-		
3345251	040	16642-7305-0	SEAL, MECH, ASSY	CONJ. RETEN, MCNC	ENS. JOINT MECANIQUE	1		
3345252	050	16259-7351-2	IMPELLER, WATER PUMP	RODETE, AGUA BOMBA	TURBINE DE POMPE	1		
3345253	060	15852-7334-0	PIPE(WATER RETURN)	TUBO, AGUA DEVOLVER	TUYAU RETOUR D'EAU	1		
3330793	070	16239-7343-0	GASKET(PUMP, WATER)	JUNTA, AGUA BOMBA	JOINT DE POMPE A EAU	1		
3345254	080	01023-50630	BOLT, SEMS	BULLONE	VIS	4		
3345255	090	01023-50685	BOLT, SEMS	TORNILLO	VIS	2		



EG522-024-10

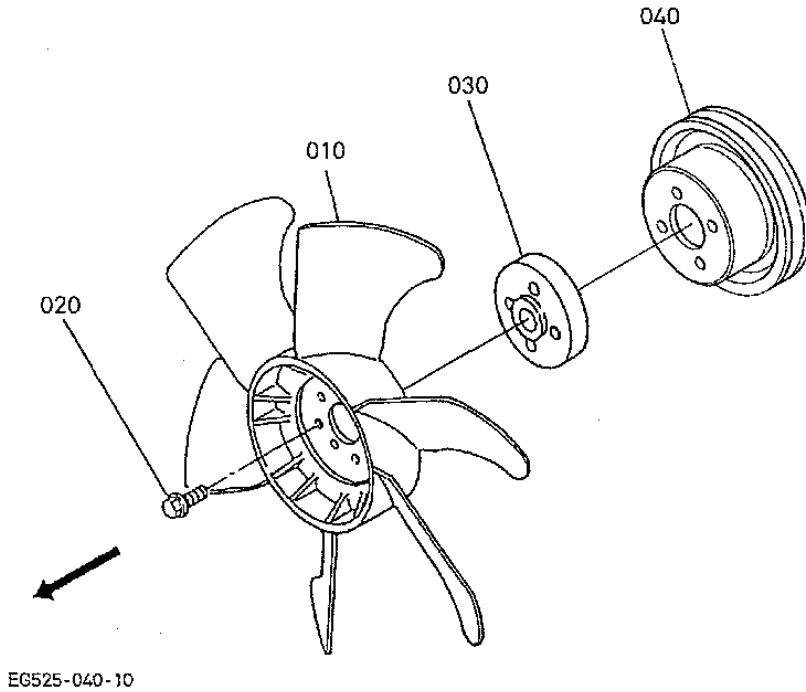
A:WG1605-G-E3-MNTM-1

MM#	REF NO. No. DE REF.	PART NO. No. REF.	PART NAME	DESCRIPCION	DESIGNATION	Q'TY/S.NO. CANTIDAD/No. DE SERIE	I.C.	REMARKS NOTA REMARQUES
	POS.No.	REFERENCE				Q'TE/No. S.	I/C	
3336946	010	17203-7286-0	PIPE, WATER	TUBO, AGUA	TUYAU D'EAU	1		
3335448	020	16680-7287-0	PIPE, WATER	TUBO, AGUA	TUYAU D'EAU	1		
3345256	030	16677-7296-0	CLAMP, HOSE	ABRAZADERA	COLLIER DE DURITE	2		

PARTS BREAKDOWN

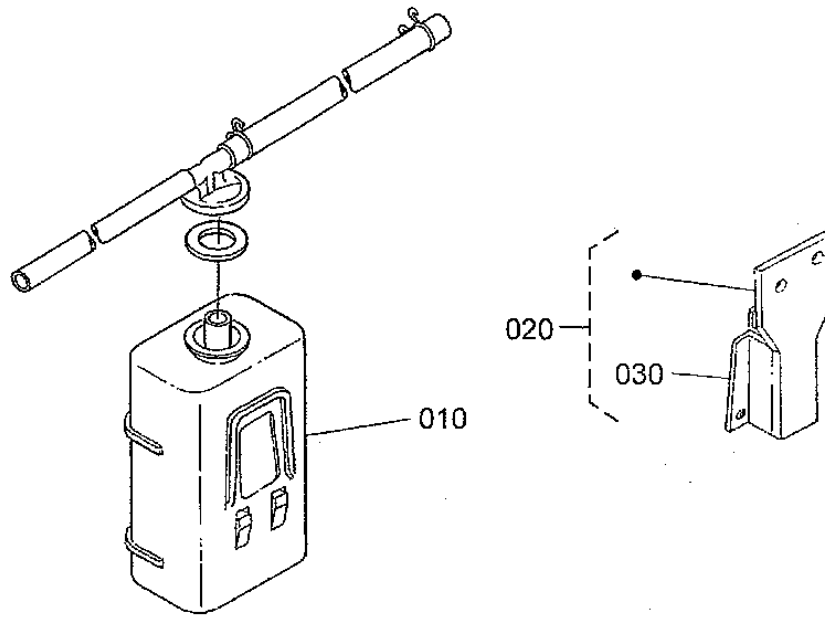
FAN - 050400

KUBOTA WG1605G ENGINE



A:WG1605-G-E3-MNTM-1

MM#	REF. NO. No. DE REF. POS. No.	PART NO. No. REF. REFERENCE	PART NAME	DESCRIPCION	DESIGNATION	Q'TY/S.NO.	I.C.	REMARKS NOTA REMARQUES
						CANTIDAD/No. DE SERIE Q'TE/No. S.	I/C	
3344870	010	17218-7411-0	FAN	VENTILADOR	VENTILATEUR	1		
3345257	020	01754-50625	BOLT, FLANGE	TORNILLO, BRIDA	VIS DE BUTEE	4		
3345258	030	16261-7415-2	COLLAR, FAN	COLLARIN, VENTILADOR	COLLIER	1		
3345259	040	16217-7425-0	PULLEY(FAN)	POLEA, VENTILADOR	POULIE VENTILATEUR	1		



EG525-036-10

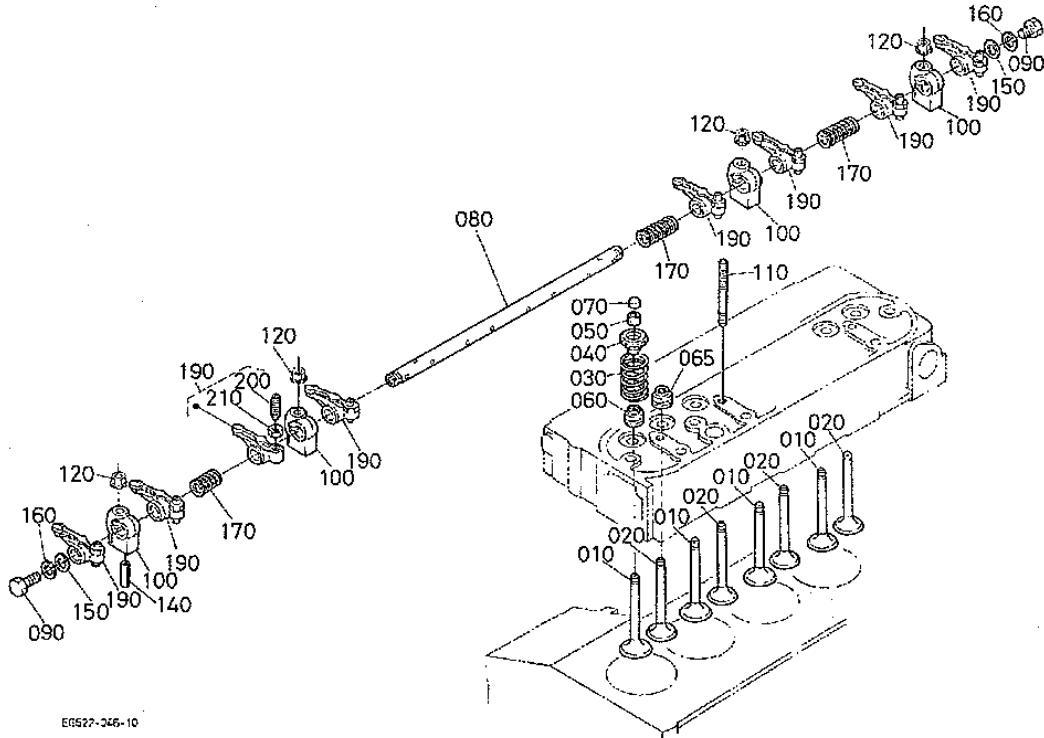
A:WG1605-G-E3-MNTM-1

MM#	REF. NO.	PART NO.	PART NAME	DESCRIPCION	DESIGNATION	Q'TY/S.NO.	I.C.	REMARKS
	NO. DE REF.	No. REF.				CANTIDAD/NO. DE SERIE	I/C	
	POS.No.	REFERENCE				A	I.C.	REMARQUES
3344871	010	48100-5847-4	ASSY TANK,RESERVE	CONJ.DEPOSITO,RSRV	ENS.VASE D'EXPANSION	1		
3344872	020	19449-7250-2	COMP SUPPORT,TANK	COMP.SOPORTE,DPST	ENS.SUPPORT DE VASE	1		
3345260	030	19217-7246-0	STAY,RESERVE TANK	SOPORTE,RSRV DPST	SUPPORT DE VASE D'E.	1		

PARTS BREAKDOWN

VALVE AND ROCKER ARM - 060000

KUBOTA WG1605G ENGINE



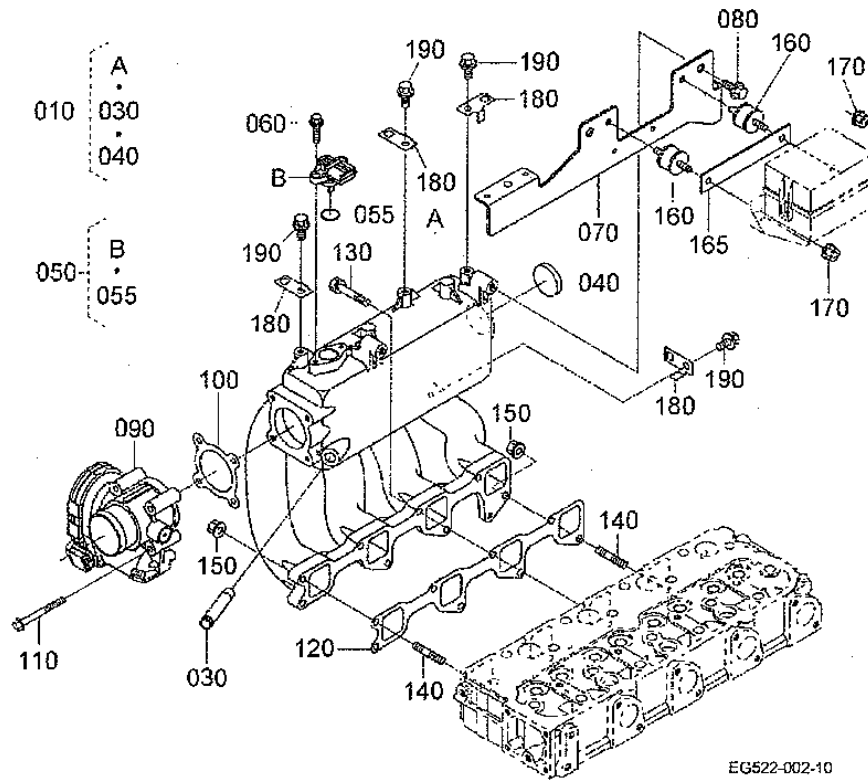
EG527-246-10

A:WG1605-G-E3-MNTM-1

MM#	REF NO. No DE REF POS.No.	PART NO. No. REF. REFERENCE	PART NAME	DESCRIPCION	DESIGNATION	Q'TY/S.N.O.	I.C.	REMARKS NOTA REMARQUES
						CANTIDAD/NO. DE SERIE Q'TE/No. S.		
						A	I.C.	
3345261	010	EG523-1311-0	VALVE,INLET	VALVULA,ENTRADA	SOUPAPE D'ADMISSION	4		
3345262	020	EG523-1312-0	VALVE,EXHAUST	VALVULA,ESCAPE	SOUPAPE DECHAPMENT	4		
3345263	030	15261-1324-0	SPRING,VALVE	RESORTE,VALVULA	RESSORT DE SOUPAPE	8		
3345264	040	16261-1333-0	RETAINER(SPRING)	RETENEDOR,RESORTE	ARRETOIR DE RESSORT	8		
3345265	050	15261-1336-0	COLLET,VALVE SPRING	ENGASTE,VLVL RSRT	DEMI CLAVETTE	8		SET
3345266	060	1C010-1315-0	SEAL,VALVE STEM	RETEN,VLVL VSTG	JOINT DE SOUPAPE	4		
3345267	065	EG523-1315-0	SEAL,VALVE STEM	RETEN,VLVL VSTG	JOINT DE SOUPAPE	4		
3345268	070	16241-1328-0	CAP,VALVE	TAPA,VALVULA	CHAPEAU DE SOUPAPE	8		
3345269	080	16241-1426-6	SHAFT,ROCKER ARM	EJE,BALANCIN BRAZO	ARBRE DE CULBUTEUR	1		
3345109	090	01754-50610	BOLT,FLANGE	TORNILLO,BRIDA	VIS DE BUTEE	2		
3345270	100	16241-1435-0	BRACKET(ARM,ROCKER)	SOPORTE,BLNCN BRZ	SUPPORT DE CULBUTEUR	4		
3345271	110	16241-1441-0	STUD	ESPARRAGO	GOUJON	4		
3345473	120	1J095-9201-0	NUT,FLANGE	TUERCA,BRIDA	ECROU A EMBASE	4		
NA	130	---	BLANK	POSTIZO	BLANC	-		
3345274	140	05411-00428	PIN,SPRING	PASADOR,RESORTE	GÓUPILLE-RESSORT	1		
3345275	150	16241-1443-0	WASHER(R-ARM.SHAFT)	ARANDELA,BLNCN-BRZ	RONDELLE	2		
3345276	160	15841-9402-2	WASHER,PLAIN	ARANDELA,SIMPLE	RONDELLE FREIN	2		
3345277	170	16241-1431-0	SPRING(ARM,ROCKER)	RESORTE	RESSORT DE CULBUTEUR	3		
NA	180	---	BLANK	POSTIZO	BLANC	-		
3345278	190	16241-1403-2	ARM,ROCKER,ASSY	CONJ.BALANCIN BRZ	ENS.CULBUTEURS	8		
3345279	200	16241-1423-0	SCREW(ADJUSTING)	TORNILLO,AJUSTE	VIS DE REGLAGE	8		
3345280	210	16241-1424-0	NUT	TUERCA	ECROU	8		

INLET MANIFOLD - 060100

KUBOTA WG1605G ENGINE



E6522-002-10

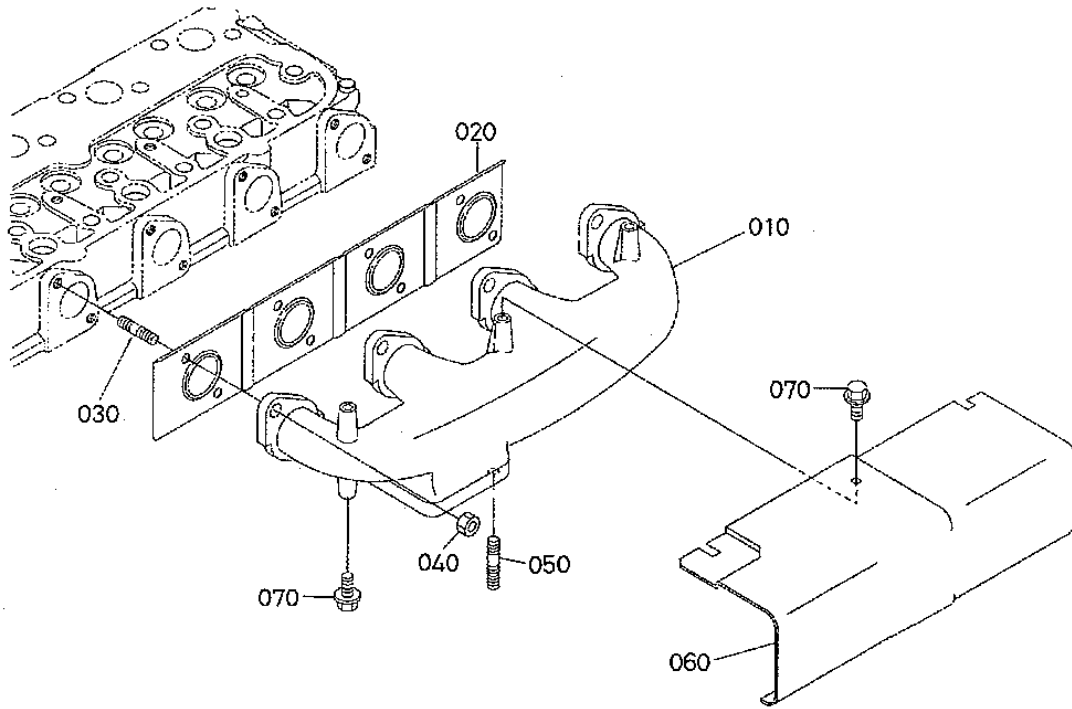
A:WG1605-G-E3-MNTM-1

MM#	REF NO.	PART NO.	PART NAME	DESCRIPCION	DESIGNATION	Q'TY/S.NO.	I.C.	REMARKS
	No DE REF	No. REF.				CANTIDAD/No. DE SERIE		
	POS.No.	REFERENCE				A	I.C.	REMARQUES
3344873	010	E6523-1181-2	MANIFOLD,COMP(INLET)	COMP.COLECTOR,ENTRD	ENS.COLLECTEUR D'AD.	1		
NA	020		BLANK	POSTIZO	BLANC			
3345281	030	E6523-0555-0	JOINT(BREATHER TUBE)	UNIÓN(TUBO DE RESPIRACIÓN)	JOINT(TUBE RENIFLARD)	1		
3331604	040	15221-0349-0	PLUG,CUP TYPE	TAPA,SELLADO	PASTILLE	1		
3344874	050	E6523-4480-0	SENSOR(TMAP)	SENSOR(TMAP)	CAPTEUR(TMAP)	1		
3345282	055	E6523-9677-0	O RING	ARO	BAGUE	1		
3345283	060	E6523-9106-0	BOLT,FLANGE	TORNILLO,BRIDA	VIS DE BUTEE	2		
3345284	070	E6523-6520-0	BRACKET	SOPORTE	SUPPORT	1		
3345285	080	01754-50816	BOLT,FLANGE	TORNILLO,BRIDA	VIS DE BUTEE	2		
3344875	090	E6523-4400-0	BODY,THROTTLE,COMP	CUERPO,REGULADOR,COMP	CORPS DE PAPILLON,COMP	1		
3344876	100	E6523-4611-0	GASKET(THROTTLE)	JUNTA(REGULADOR)	JOINT D'ÉTANCHÉITÉ(OBTURATEUR)	1		
3345467	110	01754-50645	BOLT,FLANGE	TORNILLO,BRIDA	VIS DE BUTEE	4		
3344879	120	E6523-1182-0	GASKET(INLET)	JUNTA	JOINT DE ADMISSION	1		
3345299	130	01023-50625	BOLT,SEMS	BULLONE	VIS	6		
3345300	140	01513-50625	BOLT,STUD	ESPARRAGO	GOIJON	2		
3338381	150	02751-50060	NUT,FLANGE	TUERCA,BRIDA	ECROU A EMBASE	2		
3345301	160	E6523-7219-0	RUBBER	BANQUETA,CAUCHO	COUSSIN	2		
3345302	165	E6523-6522-0	PLATE(FUSE BOX)	PLACA,FUSIBLE CAJA	PLAQUE	1		
3338381	170	02751-50060	NUT,FLANGE	TUERCA,BRIDA	ECROU A EMBASE	2		
3345303	180	E6523-6517-0	BRACKET(HARNESS 1)	ABRAZADERA(ARNÉS 1)	SUPPORT(FAISCEAU 1)	4		
3345194	190	01754-50612	BOLT,FLANGE	TORNILLO,BRIDA	VIS DE BUTEE	4		

PARTS BREAKDOWN

EXHAUST MANIFOLD - 060200

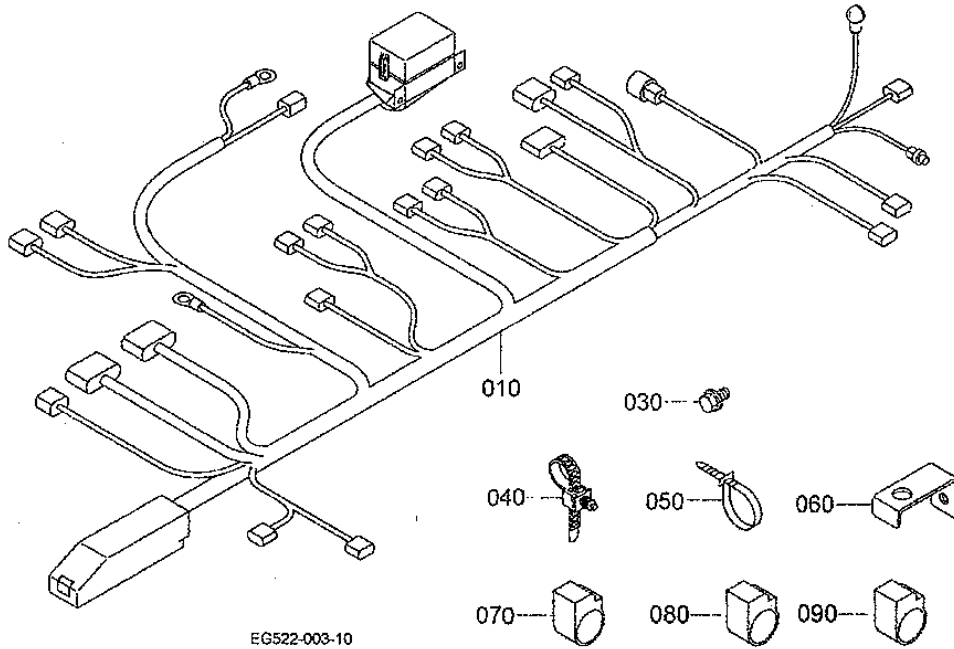
KUBOTA WG1605G ENGINE



EG525-042-10

A:WG1605-G-E3-MNTM-1

MM#	REF NO.	PART NO.	PART NAME	DESCRIPCION	DESIGNATION	Q'TY/S. NO.	I.C.	REMARKS
	No DE REF	No. REF.				CANTIDAD/No. DE SERIE		
	POS.No.	REFERENCE				A	I.C.	REMARQUES
3344880	010	EG523-1231-2	MANIFOLD,EXHAUST	COLECTOR,ESCAPE	COLLECTEUR D'ECHAPP.	1		
3345080	020	EG523-1235-0	GASKET(EX-MANIFOLD)	JUNTA,ESCP-CLCTR	JOINT DE COLL.ECHAP.	1		
3344882	030	EG523-9149-0	STUD	ESPARRAGO	GOUJON	8		
3344883	040	16271-9201-0	NUT	TUERCA	ECROU	8		
3344884	050	1J500-9155-0	STUD	ESPARRAGO	GOUJON	4		
3345304	060	EG523-1734-0	COVER(EXHAUST)	CUBIERTA,ESCAPE	COUVERCLE	1		
3345109	070	01754-50610	BOLT,FLANGE	TORNILLO,BRIDA	VIS DE BUTEE	5		



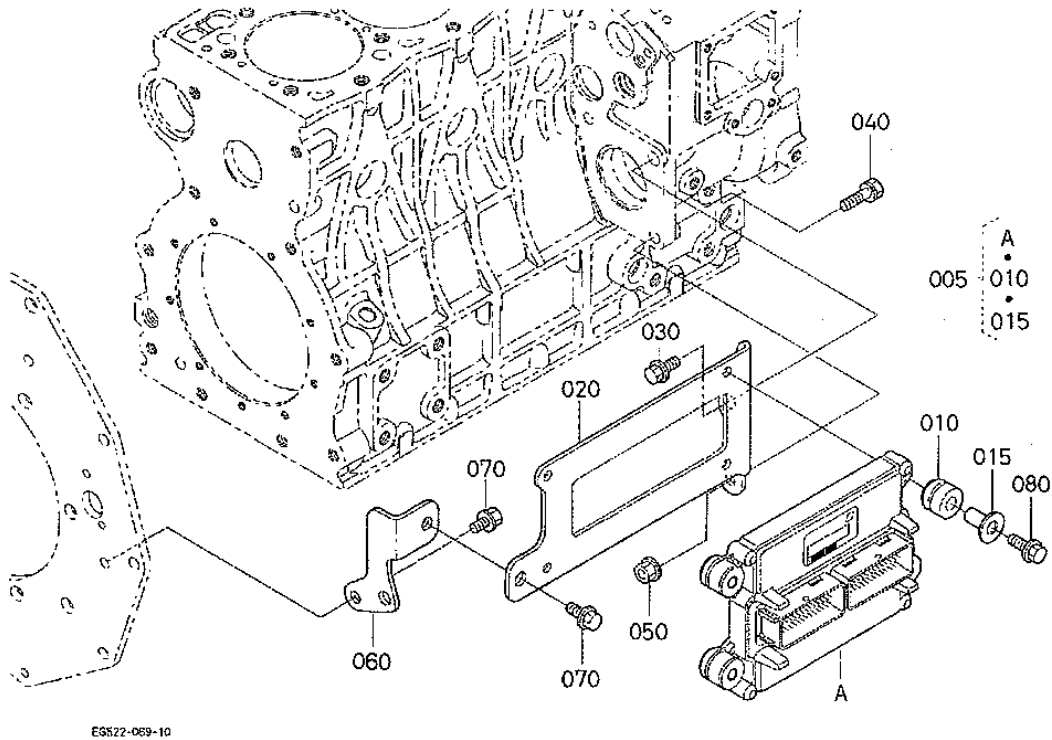
A:WG1605-G-E3-MNTM-1

MM#	REF NO. K:DEREF POS.No.	PART NO. No. REF. REFERENCE	PART NAME	DESCRIPCION	DESIGNATION	Q'TY/S.NO. CANTIDAD/NO. DE SERIE	I/C	REMARKS NOTA REMARQUES
						A	I.C.	
3345486	010	EG522-6505-3	HARNESS,WIRE,ASSY	CONJ MAZO CABLES	ENS,FAISC.DE FILS	1		
NA	020	----	BLANK	POSTIZO	BLANC	-		
3338329	030	01754-50812	BOLT,FLANGE	TORNILLO,BRIDA	VIS DE BUTEE	1		
3345305	040	RP421-5411-0	CLAMP	ABRAZADERA	ATTACHE	1		
3345306	050	55311-4126-0	BAND(CORD)	BANDA,CABLE	ATTACHE CABLE	3		
3345307	060	EG523-6521-0	BRACKET HARNESS	SOPORTE	SUPPORT	1		
3345308	070	RD451-5426-0	CLAMP	ABRAZADERA	ATTACHE	1		
3345309	080	RD451-5425-0	CLAMP	ABRAZADERA	ATTACHE	2		
3345310	090	RD451-5424-0	CLAMP	ABRAZADERA	ATTACHE	1		

PARTS BREAKDOWN

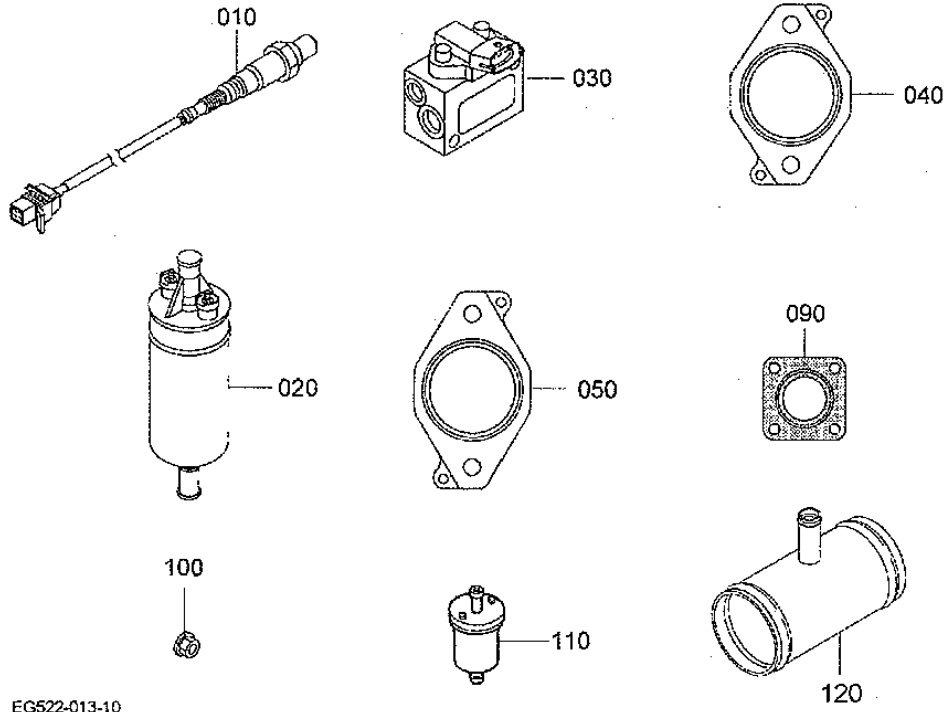
ECU - 080700

KUBOTA WG1605G ENGINE



A:WG1605-G-E3-MNTM-1

MM#	REF NO. No DE REF POS.No.	PART NO. No. REF. REFERENCE	PART NAME	DESCRIPCION	DESIGNATION	Q'TY/S. NO. CANTIDAD/NO. DE SERIE		REMARKS NOTA REMARQUES
						A	I.C. I.C.	
3345488	005	EH044-6020-0	ECU,ASSY(16MNTM-G)	CONJ.ECU	ENS.ECU	1		
3345311	010	EG523-6816-0	RUBBER	BANQUETA,CAUCHO	COUSSIN	4		
3345312	015	EG523-6815-0	SPACER(ECU)	SEPARADOR(ECU)	ENTRETOISE(ECU)	4		
3345313	020	EG523-6820-0	STAY(ECM,1)	SUSPENSION(ECM,1)	HAUBAN(ECM,1)	1		
3345314	030	01774-51020	BOLT,FLANGE	TORNILLO,BRIDA	VIS DE BUTEE	1		
3331931	040	01123-50830	BOLT,SEMS	PERNO	VIS	1		
3338385	050	02751-50080	NUT,FLANGE	TUERCA,BRIDA	ECROU A EMBASE	1		
3345315	060	EG523-6830-0	STAY(ECM,2)	SUSPENSION(ECM,2)	HAUBAN(ECM,2)	1		
3338329	070	01754-50812	BOLT,FLANGE	TORNILLO,BRIDA	VIS DE BUTEE	2		
3338411	080	01754-50635	BOLT,FLANGE	TORNILLO,BRIDA	VIS DE BUTEE	4		



EG522-013-10

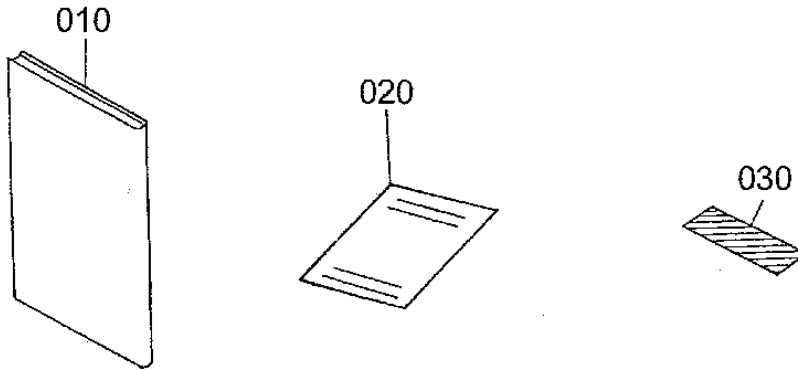
A:WG1605-G-E3-MNTM-1

MM#	REF. NO.	PART NO.	PART NAME	DESCRIPCION	DESIGNATION	Q'TY/S. NO.	I.C.	REMARKS
	No. DE REF.	No. REF.				CANTIDAD/No. DE SERIE		
	POS.No.	REFERENCE				A	I.C.	REMARQUES
3344887	010	EG523-1224-0	SENSOR(O2)	SENSOR(O2)	CAPTEUR(O2)	2		
3345483	020	EG522-5202-0	PUMP(FUEL)	BOMBA, COMBUSTIBLE	POMPE D'ALIMENTATION	1		
3345484	030	EG522-5207-0	MANIFOLD(FPM)	COLECTOR	COLLECTEUR	1		
3345083	040	EG523-1237-0	GASKET, MUFFLER	JUNTA, SILENCIADOR	JOINT DE SILENCIEUX	1		
3345028	050	EG523-1238-0	GASKET, MUFFLER	JUNTA, SILENCIADOR	JOINT DE SILENCIEUX	1		
NA	060	---	BLANK	POSTIZO	BLANC	-		
NA	070	---	BLANK	POSTIZO	BLANC	-		
NA	080	---	BLANK	POSTIZO	BLANC	-		
3345082	090	EG523-1223-0	GASKET, MUFFLER	JUNTA, SILENCIADOR	JOINT DE SILENCIEUX	1		
3344894	100	02756-50080	NUT, UBS	TUERCA, UBS	ECROU	4		
3345471	110	12581-4301-2	ASSY FILTER, FUEL	CONJ. FILTRO, CMBSTBL	ENS. FILTRE, COMBUST	1		
3345476	120	EG522-1194-0	PIPE (BREATHER)	PIPA	TUYAU DE REINFLARD	1		

PARTS BREAKDOWN

LABEL AND OPERATOR'S MANUAL - 080900

KUBOTA WG1605G ENGINE



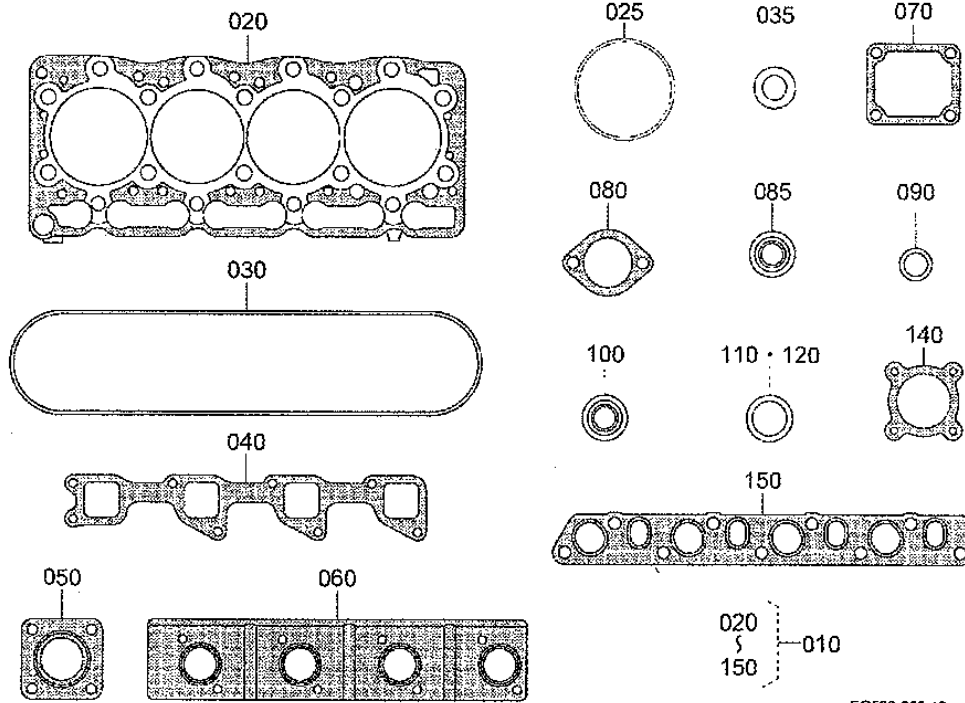
EG525-000-10

A:WG1605-G-E3-MNTM-1

MM#	REF. NO. No. DE REF.	PART NO. No. REF.	PART NAME	DESCRIPCION	DESIGNATION	Q'TY/S. NO. CANTIDAD/No. DE SERIE	I.C.	REMARKS NOTA
	POS. No.	REFERENCE				A	I.C.	
3344895	010	EG523-8916-3	MANUAL,OP	MANUAL DEL OPERADOR	MANUEL DE L'UTILISA.	1		
3344896	020	EG522-8980-2	PAPER(WARRANTY)	DECLARACION,GARANTIA	DECLARATION,GARANTIE	1		
3345316	030	12599-8822-3	LABEL,CAUTION	ETIQUETA,PRECAUCION	ETIQUETTE	1		

UPPER GASKET KIT [OPTION] - 090001

KUBOTA WG1605G ENGINE



EG526-008-10

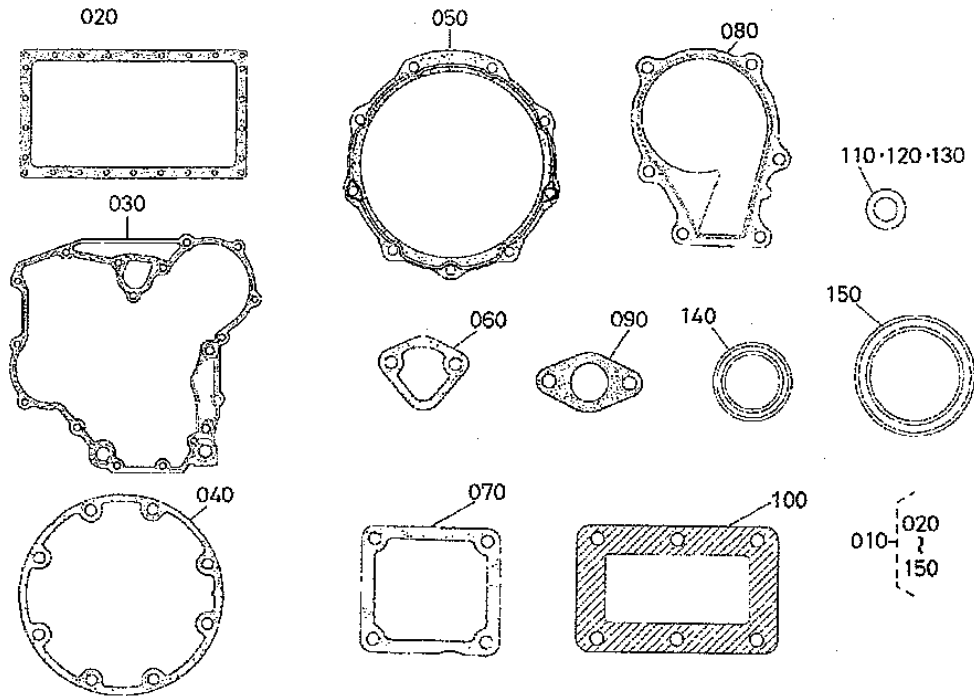
A:WG1605-G-E3-MNTM-1

MM#	REF NO.	PART NO.	PART NAME	DESCRIPCION	DESIGNATION	Q'TY/S NO.	I.C.	REMARKS
	No DE REF	No. REF.				CANTIDAD/NO. DE SERIE		
	POS.No.	REFERENCE				A	I.C.	REMARQUES
3344897	010	EG522-9935-2	GASKET,KIT(UPPER)	KIT JUNTA,SUPERIOR	JEU DE JOINTS SUPER.	1		
3344827	020	16394-0331-3	GASKET,CYLINDER HEAD	JUNTA,CLNDR CLT	JOINT	1		
3345135	025	1A021-0543-0	O-RING(BREATHER)	O ARO,RESPIRADERO	JOINT TORIQUE	2		
3334278	030	16241-1452-0	GASKET,HEAD COVER	JUNTA,CLT CBRT	JOINT COUVRE-CULASSE	1		
3305252	035	04724-00160	PACKING	JUNTA	JOINT	1		
3344879	040	EG523-1182-0	GASKET(INLET)	JUNTA	JOINT DE ADMISSION	1		
3345082	050	EG523-1223-0	GASKET,MUFFLER	JUNTA,SILENCIADOR	JOINT DE SILENCIEUX	1		
3345080	060	EG523-1235-0	GASKET(EX-MANIFOLD)	JUNTA,ESCP-CLCTR	JOINT DE COLL ECHAP.	1		
3336915	070	16264-7292-0	GASKET(FLANGE,WATER)	JUNTA,AGUA BRIDA	JOINT DE BRIDE	1		
3336918	080	16221-7327-0	GASKET(THERMOSTAT)	JUNTA,TERMOSTATO	JOINT	1		
3344867	085	04717-01200	WASHER,SEAL	ARANDELA,CON CAUCHO	JOINT EN CAOUTCHOUC	1		
3344837	090	1J001-9677-0	O-RING	O ARO	JOINT TORIQUE	1		
3337572	100	15951-9666-0	GASKET	JUNTA	JOINT	4		
3345266	110	1C010-1315-0	SEAL(VALVE STEM)	RETEN,VLVL VSTG	JOINT DE SOUPEPE	4		
3345267	120	EG523-1315-0	SEAL,VALVE STEM	RETEN,VLVL VSTG	JOINT DE SOUPEPE	4		
NA	130	----	BLANK	POSTIZO	BLANC	-		
3344876	140	EG523-4611-0	GASKET(THROTTLE)	JUNTA(REGULADOR)	JOINT D'ETANCHEITE(OBTURATEUR)	1		
3345482	150	EG522-4505-0	GASKET(FLANGE)	JUNTA(BRIDA)	JOINT D'ETANCHEITE(BRIDE)	1		

PARTS BREAKDOWN

LOWER GASKET KIT [OPTION] - 090002

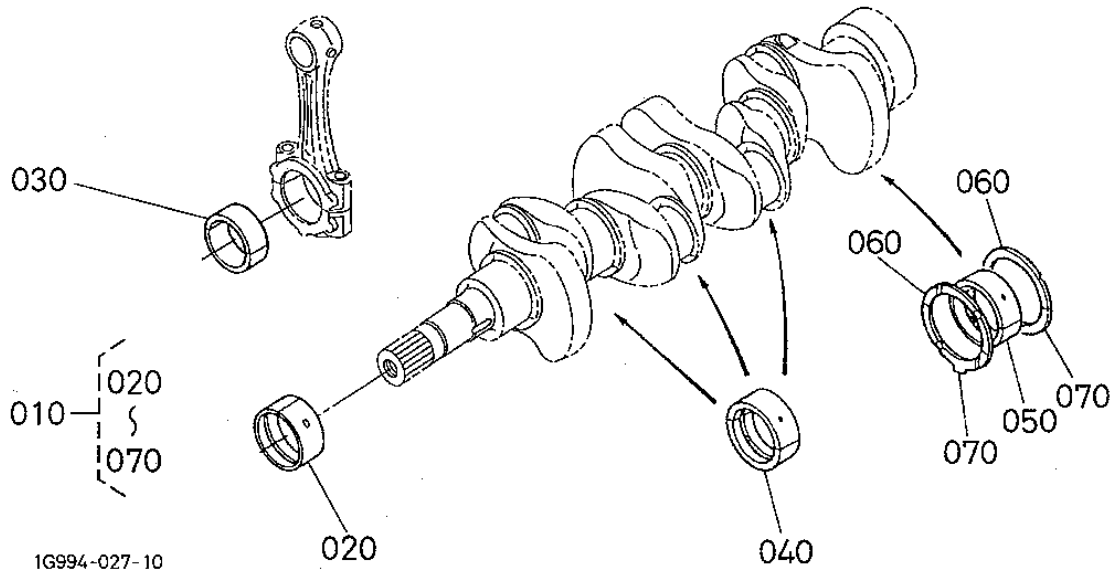
KUBOTA WG1605G ENGINE



EG522-031-10

A:WG1605-G-E3-MNTM-1

MM#	REF NO. No DE REF POS.No.	PART NO. No. REF. REFERENCE	PART NAME	DESCRIPCION	DESIGNATION	Q'TY/S NO. CANTIDAD/No. DE SERIE Q'TE/No.S.	I.C. I/C I.C.	REMARKS NOTA REMARQUES
						A		
3345487	010	EG523-9936-3	GASKET,KIT(LOWER)	KIT JUNTA,BAJAR	JEU DE JOINTS INFER.	1		
3345317	020	16252-0163-0	GASKET,OIL PAN	JUNTA,ACT CCRL	JOINT	1		
3344831	030	16264-0413-2	GASKET,GEAR CASE	JUNTA,ENGRANAJE CAJA	JOINT	1		
3345472	040	1J095-0436-0	GASKET,BRG.CASE	JUNTA,PUENTE CAJA	JOINT	1		
3345144	050	16264-0482-2	GASKET	JUNTA,CAJA CUBIERTA	JOINT DE CARTER FOU	1		
3344833	060	16261-5214-0	GASKET(FUEL PUMP)	JUNTA,CMBSTBL BMB	JOINT DE POMP.CARB.	1		
3336924	070	16264-5721-0	GASKET	JUNTA	JOINT	1		
3330793	080	16239-7343-0	GASKET(PUMP,WATER)	JUNTA,AGUA BOMBA	JOINT DE POMPE A EAU	1		
3344856	090	16299-5626-0	GASKET	JUNTA	JOINT	1		
3344857	100	16040-5209-2	SHIM,INJECTION	SUPLEMENTO,INYCCN	CALE,POMPE INJECTION	1		
3331828	110	15601-9665-0	GASKET	JUNTA	JOINT	4		
3338328	120	60090-5896-0	GASKET(PAN,OIL)	JUNTA	JOINT	1		
3344822	130	16265-9667-0	GASKET(PAN,OIL)	JUNTA	JOINT	1		
3344832	140	16259-0421-0	SEAL,OIL	RETEN DE ACEITE	BAGUE JOINT	1		
3337589	150	16285-0446-0	SEAL,OIL	SELLO	BAGUE JOINT	1		



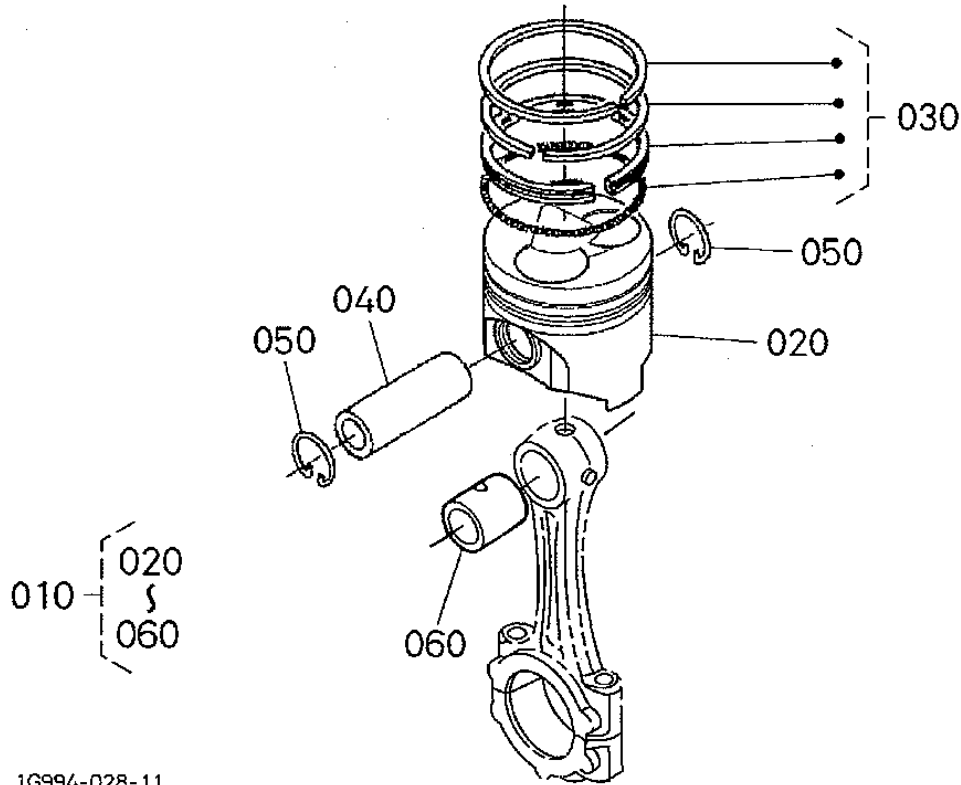
A:WG1605-G-E3-MNTM-1

MM#	REF. NO. No. DE REF. POS.No.	PART NO. No. REF. REFERENCE	PART NAME	DESCRIPCION	DESIGNATION	Q'TY/S. NO.	I.C.	REMARKS NOTA REMARQUES
						CANTIDAD/No. DE SERIE Q'TE/No. S.		
3344899	010	1G992-2375-5	METAL,KIT(ENGINE)	KIT METAL,MOTOR	JEU DE COUSSINET	1		STD
3345318	010	1G992-2376-5	KIT METAL,ENGINE	KIT METAL,MOTOR	JEU DE COUSSINET	1		-0.20mm/+0.20mm
3345319	010	1G992-2377-5	KIT METAL,ENGINE	KIT METAL,MOTOR	JEU DE COUSSINET	1		-0.40mm/+0.40mm
3345172	020	16292-2347-3	METAL(CRANKSHAFT)	METAL,CIGUENAL	COUSSINET DE VILEBR.	1		STD
3345173	020	16292-2391-3	METAL(CRANKSHAFT)	METAL,CIGUENAL	COUSSINET DE VILEBR.	1		-0.20mm
3345174	020	16292-2392-3	METAL(CRANKSHAFT)	METAL,CIGUENAL	COUSSINET DE VILEBR.	1		-0.40mm
3345163	030	16292-2231-0	METAL(PIN,CRANK)	METAL,MUNEQUILLA	COUSSINET DE BIELLE	4		STD/SET
3345164	030	16292-2297-2	METAL,CRANKPIN	METAL,MUNEQUILLA	COUSSINET DE BIELLE	4		-0.20mm/SET
3345165	030	16292-2298-2	METAL,CRANKPIN	METAL,MUNEQUILLA	COUSSINET DE BIELLE	4		-0.40mm/SET
3345147	040	16292-2348-3	METAL,CRANKSHAFT	METAL,CIGUENAL	COUSSINET DE VILEBR.	3		STD/SET
3345175	040	16292-2393-3	METAL,CRANKSHAFT	METAL,CIGUENAL	COUSSINET DE VILEBR.	3		-0.20mm/SET
3345176	040	16292-2394-3	METAL,CRANKSHAFT	METAL,CIGUENAL	COUSSINET DE VILEBR.	3		-0.40mm/SET
3337607	050	16292-2349-4	METAL,CRANKSHAFT	METAL,CIGUENAL	COUSSINET DE VILEBR.	1		STD/SET
3337608	050	16292-2386-4	METAL,CRANKSHAFT	METAL,CIGUENAL	COUSSINET DE VILEBR.	1		-0.20mm/SET
3337609	050	16292-2387-4	METAL,CRANKSHAFT	METAL,CIGUENAL	COUSSINET DE VILEBR.	1		-0.40mm/SET
3345177	060	15521-2353-3	METAL,SIDE	METAL,LADO	COUSSINET DE LATERAL	2		STD
3345178	060	15521-2395-3	METAL,SIDE	METAL,LADO	COUSSINET DE LATERAL	2		+0.20mm
3345179	060	15521-2396-3	METAL,SIDE	METAL,LADO	COUSSINET DE LATERAL	2		+0.40mm
3345180	070	19202-2354-3	METAL,SIDE	METAL,LADO	COUSSINET DE LATERAL	2		STD
3345181	070	19202-2397-3	METAL,SIDE	METAL,LADO	COUSSINET DE LATERAL	2		+0.20mm
3345182	070	19202-2398-3	METAL,SIDE	METAL,LADO	COUSSINET DE LATERAL	2		+0.40mm

PARTS BREAKDOWN

PISTON KIT [OPTION] - 090300

KUBOTA WG1605G ENGINE



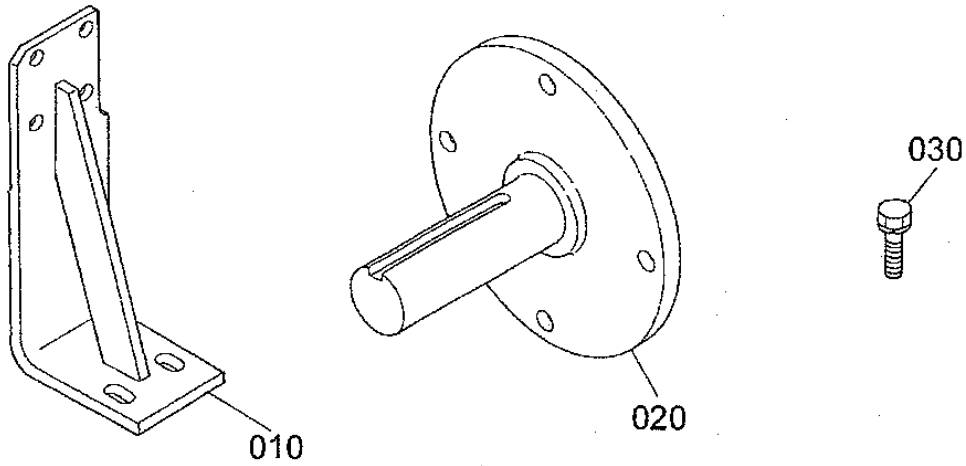
1G994-028-11

A:WG1605-G-E3-MNTM-1

MM#	REF. NO. N° DE REF. POS. No.	PART NO. No. REF. REFERENCE	PART NAME	DESCRIPCION	DESIGNATION	Q'TY/S. NO. CANTIDAD/NO. DE SERIE Q'TE/No. S.		REMARKS NOTA REMARQUES
						A	I.C. I.C.	
3344900	010	EG523-2177-0	KIT PISTON	KIT PISTON	ENS.PISTON	4		STD
3345320	010	EG523-2179-0	KIT PISTON	KIT PISTON	ENS.PISTON	4		+0.50mm
3345156	020	EG523-2111-0	PISTON	PISTON	PISTON	4		STD
3345157	020	EG523-2191-0	PISTON	PISTON	PISTON	4		+0.50mm
3344852	030	EG523-2105-0	ASSY PISTON RING	CONJUNTO PISTON ARO	ENS.SEGMENT	4		STD
3345158	030	EG523-2109-0	ASSY PISTON RING	CONJUNTO PISTON ARO	ENS.SEGMENT	4		+0.50mm
3345159	040	16241-2131-0	PIN,PISTON	PASADOR,PISTON	AXE DE PISTON	4		
3345160	050	16241-2133-0	CIRCLIP(PIN,PISTON)	ANILLO	CIRCLIP	8		
3345161	060	1G700-2198-0	BUSHING(PIN,PISTON)	CASQUILLO,PSTN PSDR	BAGUE DE BIELLE	4		

OPTION - 090600

KUBOTA WG1605G ENGINE



EG525-024-10

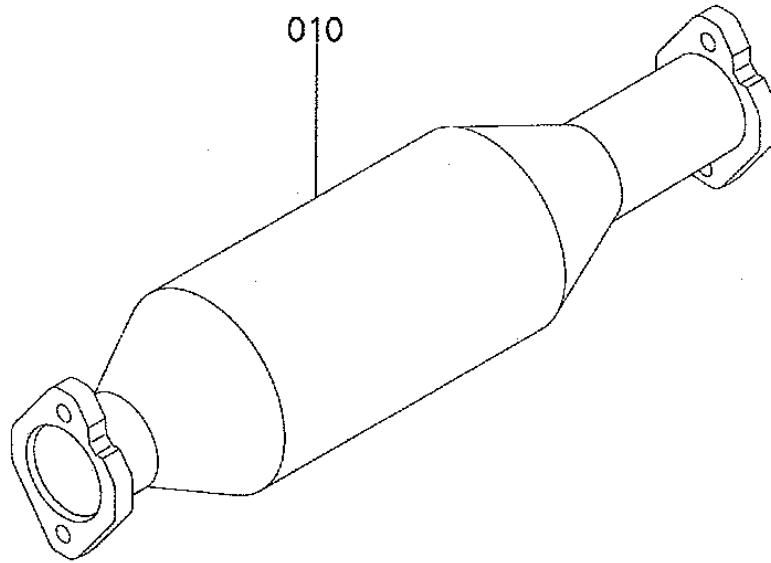
A:WG1605-G-E3-MNTM-1

MM#	REF. NO. Nº DE REF. POS. No.	PART NO. No. REF. REFERENCE	PART NAME	DESCRIPCION	DESIGNATION	Q'TY/S. NO. CANTIDAD/Nº DE SERIE Q'TE/Nº. S.	I.C. I/C	REMARKS NOTA REMARQUES
						A	I.C.	
3345321	010	16616-0611-2	STAND,ENGINE	CABALLETE,MOTOR	SUPPORT DE CARTER	4		
3345322	020	16616-8451-0	SHAFT,PULLEY	EJE,POLEA	ARBRE DE POULIE	1		
3345323	030	01133-51028	BOLT,SEMS	BULLONE	VIS	4		

PARTS BREAKDOWN

DIRECT SALES - 091000

KUBOTA WG1605G ENGINE



EG525-028-10

A:WG1605-G-E3-MNTM-1

MM#	REF. NO. No. DE REF.	PART NO. No. REF.	PART NAME	DESCRIPCION	DESIGNATION	Q'TY/S.NO. CANTIDAD/NO. DE SERIE	I.C.	REMARKS NOTA
	POS.No.	REFERENCE				A	I.C.	
3344901	010	EG523-1212-0	CONVERTER,COMP	CONVERTIDOR,COMP	CONVERTISSEUR,COMP	1		

WARRANTY

Revision J
Effective December 2013
PowerBoss Made Simple Industrial Limited Warranty

Minuteman International owner of PowerBoss warrants to the original purchaser/user that the product is free from defects in workmanship and materials under normal use. PowerBoss will, at its option, repair or replace without charge, parts that fail under normal use and service when operated and maintained in accordance with the applicable operation and instruction manuals. All warranty claims must be submitted through and approved by factory authorized repair stations.

This warranty does not apply to normal wear, or to items whose life is dependent on their use and care. Parts not manufactured by PowerBoss are covered by and subject to the warranties and/or guarantees of their manufacturers. Please contact Minuteman International for procedures in warranty claims against these manufacturers.

Special warning to purchaser -- Use of replacement parts not manufactured by PowerBoss or its designated licensees, will void all warranties expressed or implied. A potential health hazard exists without original equipment replacement.

All warranted items become the sole property of Minuteman International or PowerBoss or its original manufacturer, whichever the case may be.

PowerBoss disclaims any implied warranty, including the warranty of merchantability and the warranty of fitness for a particular purpose. PowerBoss assumes no responsibility for any special, incidental or consequential damages.

This limited warranty is applicable only in the U.S.A. and Canada, and is extended only to the original user/purchaser of this product. Customers outside the U.S.A. and Canada should contact their local distributor for export warranty policies. PowerBoss is not responsible for costs or repairs performed by persons other than those specifically authorized by PowerBoss. This warranty does not apply to damage from transportation, alterations by unauthorized persons, misuse or abuse of the equipment, use of non-compatible chemicals, or damage to property, or loss of income due to malfunctions of the product. If a difficulty develops with this machine, you should contact the dealer from whom it was purchased.

This warranty gives you specific legal rights, and you may have other rights, which vary from state to state. Some states do not allow the exclusion or limitation of special, incidental or consequential damages, or limitations on how long an implied warranty lasts, so the above exclusions and limitations may not apply to you.

	Travel *	Labor	Parts	Engine	Extended Warranty	Costs
Walk Behind						****
Battery Sweepers	90 Days	12 months	12 months	N/A	N/A	-
IC Sweepers	90 Days	12 months	12 months	Through Eng. Mfg.	N/A	-
Battery Scrubbers	90 Days	24 months	36 months	N/A	N/A	-
Riders						
Battery Scrubbers	90 Days	24 months	36 months or 2000 hr.	N/A	36 months parts + 24 labor (or 3000 Hours)	5%
IC Sweeper/Scrubbers 82 & 90	90 Days	6 months	24 months or 2000 hr.	24 months or 3000 hrs**	36 months parts + 24 months labor (or 3000 Hours) + 180 days travel	5%
I.C. Sweepers 9X, 10X	90 days	6 months	48 months or 3000 hrs.	60 months or 3000 hrs**	48 months parts + 24 months labor (or 3000 Hours) + 180 days travel	5%
NAUTILUS Scrubber	180 Days	24 months	36 months or 2000 hr.	36 months or 2000 hrs**	48 months parts + 24 months labor (or 3000 Hours) + 180 days travel	3%
All Rider, I.C. (excluding APEX series)					Bumper to Bumper 5000 hr max. 48 months parts, 48 months labor, 180 days travel	8%
Exceptions						
Apex Series Sweeper	90 Days	12 months	12 months or 1000 hr.	12 months or 1000 hrs**	24 months parts + 24 months labor (or 2000 Hours)	5%
6X Sweeper	90 Days	6 months	24 months or 2000 hr.	24 months or 2000 hours**	36 months parts + 24 months labor (or 3000 Hours) + 180 day travel	5%

Tank Bladders Eight years/ no additional labor
Polyethylene plastic tanks Ten years/ no additional labor
Batteries 0-3 months full replacement, 4-12 prorated credit
Chargers One-year replacement
Aftermarket Replacement parts Ninety days from date of purchase

*Two-Hour Cap Per Service Call

**Through Engine Manufacturer. See Section 3 of Warranty Manual for Engine Warranty Exceptions

*** Based Upon Dealer's Certification Status:

Extended Warranty MUST Be Signed Up Within 30 Days of Delivery to End User
 (Dealer Has 1Year From Receiving Machine To Sign Up For Extended Warranty)

***All above labor and travel reimbursed at 65% or 75% of the published shop rate.



“The Power of Clean”

**PowerBoss© Is a Full Line Manufacturer of Sweepers and Scrubbers,
For Industrial Facilities.**

PowerBoss©, Minuteman International, Inc. 14N845 U.S. Route 20 Pingree Grove, IL 60140

Phone: 800-323-9420 www.PowerBoss.com e-mail: tech@powerboss.com

A Member of the Hako Group